

RACE

TRACK

NAME

CITY / COUNTRY

DATE

TEMPERATURE	AIR	TRACK
QUALIFYING POSITION	BEST LAPTIME SEC	FINAL POSITION
TRACK CONDITION		RACE LENGTH MIN
TRACTION		

GEAR RATIO CHART

Spur	Spur 1st			Spur 2nd		
Pinion	60	61	62	56	57	58
1st 19T	<input type="checkbox"/>	<input type="checkbox"/>	<input type="checkbox"/>	5.37	5.46	5.56
2nd 24T	7.26	7.38	7.51	<input type="checkbox"/>	<input type="checkbox"/>	<input type="checkbox"/>

SHOCK

Front: OIL 1 HOLE 2 HOLE CST SPRING

Rear: OIL 1 HOLE 2 HOLE CST SPRING

SHOCK PISTON: 1 HOLE 2 HOLE

HOLE SIZE: mm

TIRE

Front Left: °

Front Right: °

Rear Left: °

Rear Right: °

Tire Shore:

Tire Ø: mm

Tire Additive:

BODY

Bumper: Standard Cut

BODY MOUNT DISTANCE: mm

BODY: mm

WING: mm

ENGINE

Engine:

Pipe:

Plug:

Carb Dia: mm

Fuel:

Head Shims: mm

CLUTCH

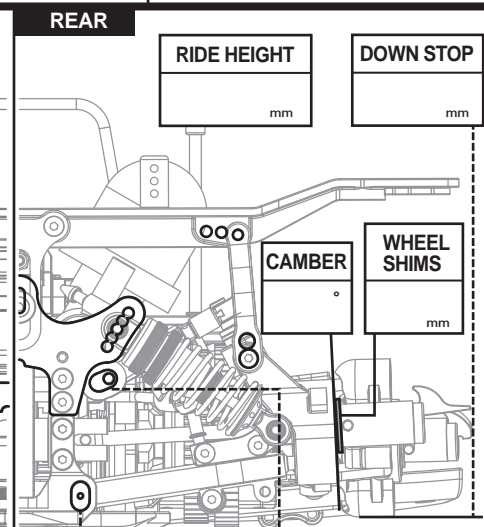
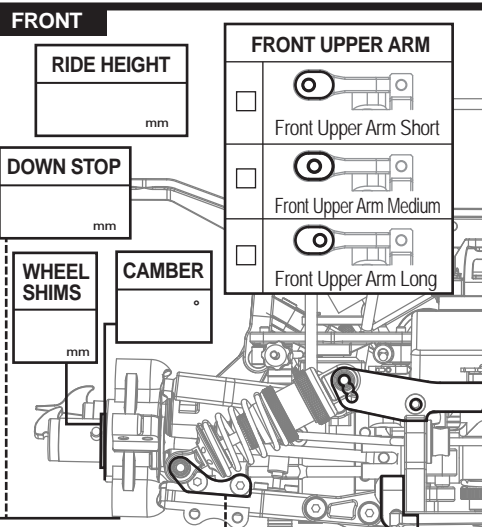
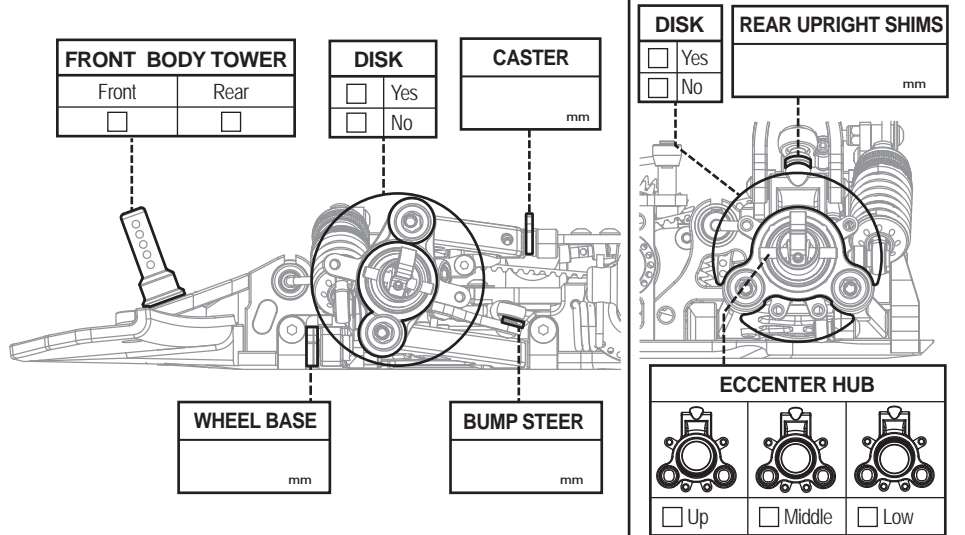
Clutch Bell:

Clutch Shoes:

Spring Load: mm

Bell Clearance: mm

NOTE



LONG R802042

SHORT R802041

+0mm R801021

+2mm R801022

REAR ROLL CENTER

<input type="checkbox"/>	<input type="checkbox"/>	<input type="checkbox"/>
--------------------------	--------------------------	--------------------------

REAR UPPER LINK

<input type="checkbox"/>	<input type="checkbox"/>	<input type="checkbox"/>
--------------------------	--------------------------	--------------------------

