






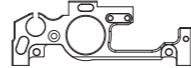


NOTE :





 =Apply Thread lock adhesive

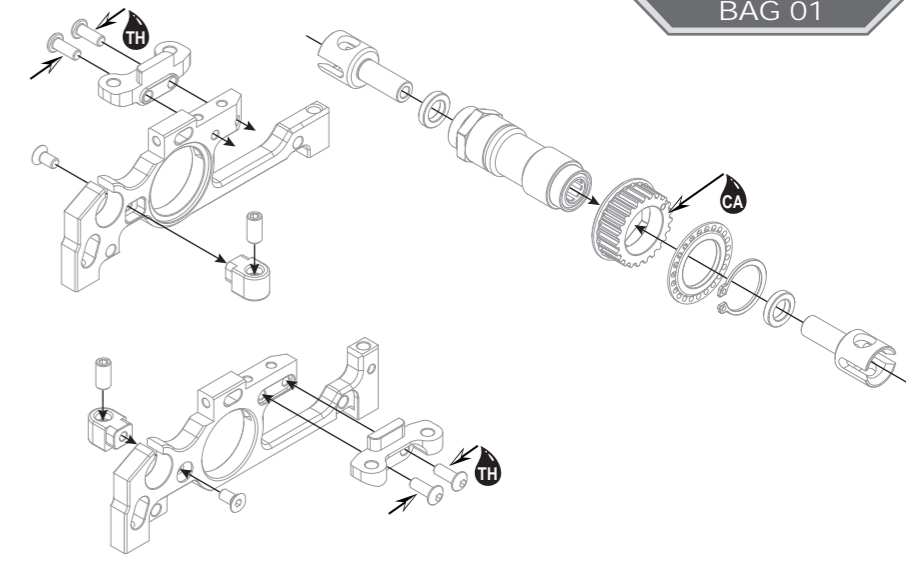
 =Apply CA Glue

 =Apply Grease


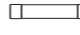





BAG 01

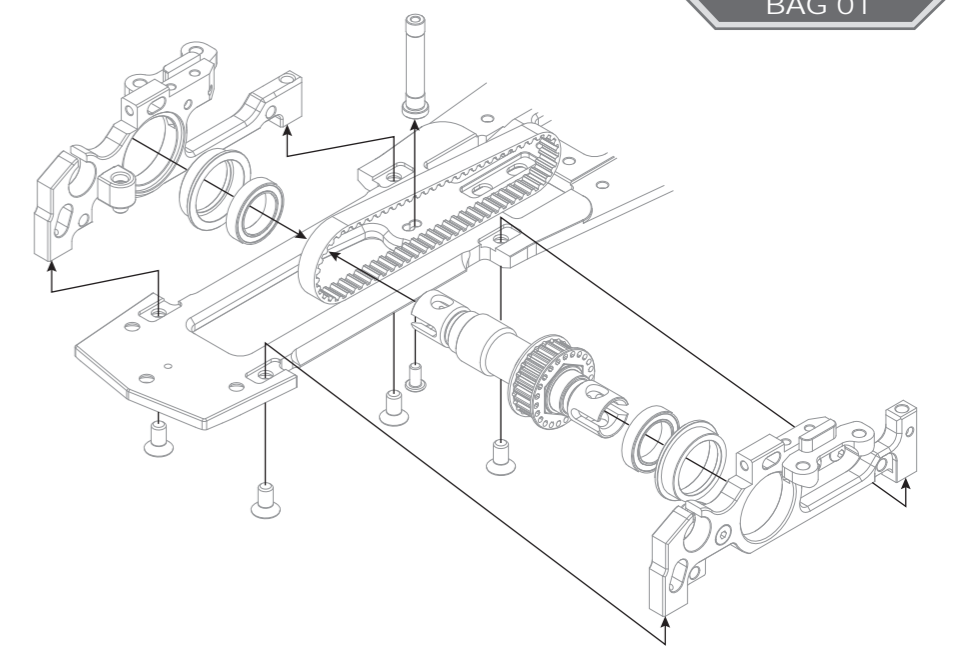
-  R803059 Front One Way Cup (2)
-  R802019 Front One Way
-  R801111 Pulley Set-Front
-  R802020 Front Upper Arm Bracket Base
-  R801104 One Way Plastic Shims (2)
-  R802004 Front Alu-Bulkhead-L
-  R802005 Front Alu-Bulkhead-R
-  R801020 Downstop Nut Holder (2)

-  R105105 3x8 Round Screw
-  R105203 3x6mm Flat Screw
-  R805052 4x8mm Set
-  R805041 14mm Ring Clip (6)




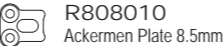





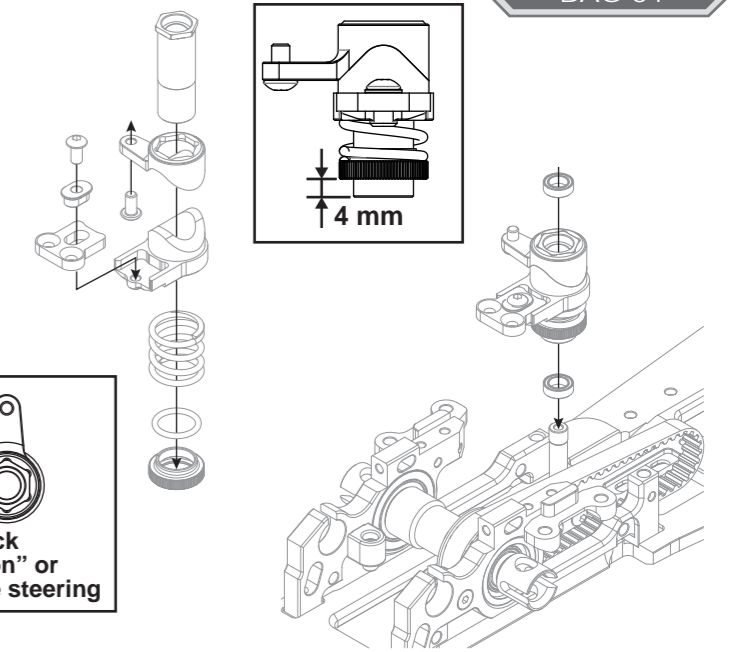
BAG 01

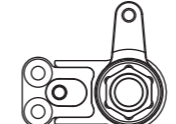
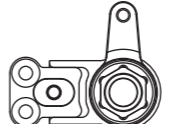
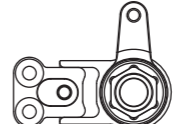
-  R801042 Bearing Bushing -Front One Way (2)
-  R803040 Servo Saver Base Post
-  R804030 Front Belt 201
-  R802202 R8.0E Main Chassis
-  R806020 12x18x4mm Ball Bearing (4)
-  R105104 3x6 Round Screw
-  R805201 4x8mm Flat Screw



BAG 01

-  R802110 Servo Saver Tower
-  R801108 Ackermen Adjustment Shims (2) 0/+1.5
-  R802008 Servo Saver Alu
-  R808010 Ackermen Plate 8.5mm Carbon
-  R807010 Servo Saver Spring
-  R105104 3x6 Round Screw
-  R106010 5x8x2.5mm Ball Bearing (2)



 When track "High Traction" or want to reduce steering	 Default Setup	 When track "Low Traction" or want to increase steering
---	---	--

BAG 01

- R801090 Ball End 5.8mm Short (2)
- R803015 Anti Roll Bar Ball Screw (2)
- R803014 Anti Roll Bar Ball Head (2)
- R802041 Front Shock Mount S (2)
- R801015 Front Low Arm Set
- R105104 3x6 Round Screw
- R105105 3x8 Round Screw
- R105101 2x5mm Cap Screw

BAG 02

- R805104 4x12 Round Screw
- R805102 4x8 Round Screw
- R801021 (Optional) Front Low Arm Holder (4)
- R801022 Front Low Arm Holder +2mm (4)
- R802006 Front Upper Arm Bracket
- R803031 Front Low Arm Pin 3x77.8
- R801094 Spacer 1mm/2mm/3mm

Default Setup

- R801022 (Optional) Front Low Arm Short
- R802041 (Optional) Front Shock Mount L
- R801021 Front Low Arm Long
- R802042 Front Shock Mount L

Can increase steering best for low traction track.

BAG 02

- R801072 Front Upper Arm (2)
- R803033 Front Upper Arm Pin 3x49 (2)
- R801023 Suspension Bracket Insert-Open (8)
- R801094 Spacer 3mm+2mm+1mm
- R105401 3x3mm Set

Default

- Front Upper Arm Short
- Front Upper Arm Medium
- Front Upper Arm Long

BAG 02

- R801055 Steering Block
- R802086 7.9mm Ball End Long-Alu (2)
- R802045 Front Steering Plate (2)
- R803062 Front CVD Shaft (2)
- R803063 Front Wheel Axle (2)
- R802032 Front Tire Hook (2)
- R807004 Tire Hook Spring (4)
- R803064 CVD Insert (2)
- R804003 7.9mm Ball End Nut (4)
- R105104 3x6 Round Screw
- R105401 3x3mm Set
- R806100 Ø2.5x11.8 Pin (6)
- R806101 Ø3x19.8 Pin (6)
- R806020 12x18x4mm Ball Bearing (4)
- R803051 12.1x15x0.5mm (10)

BAG 02

- R803016 Ball Head 4.9mm (4)
- R101070 Ball Joint 4.9mm Open (4)
- R803035 3mmX62mm Rod (2)

BAG 02

- R105202 3x5mm Flat Screw
- R105104 3x6 Round Screw

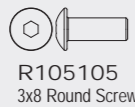
Default Position

49.5 mm

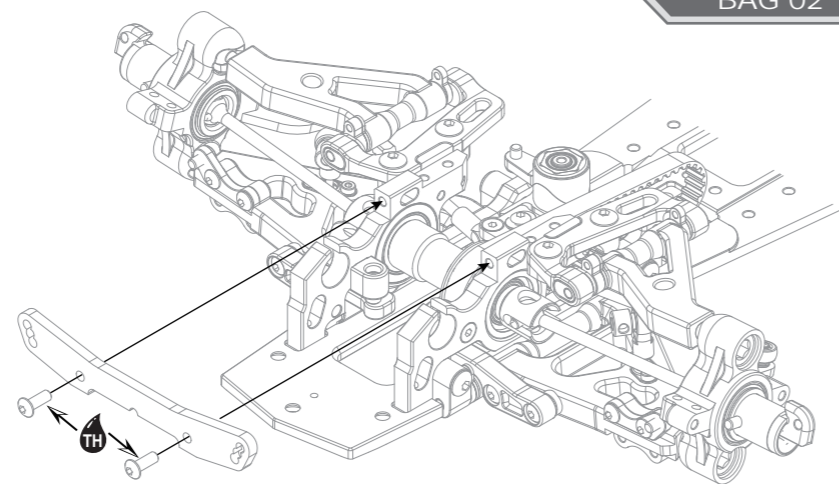
BAG 02



R808002
Front Shock Tower



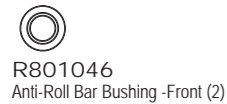
R105105
3x8 Round Screw



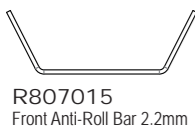
BAG 02



R803013
Anti Roll Bar Stopper (2)



R801046
Anti-Roll Bar Bushing -Front (2)



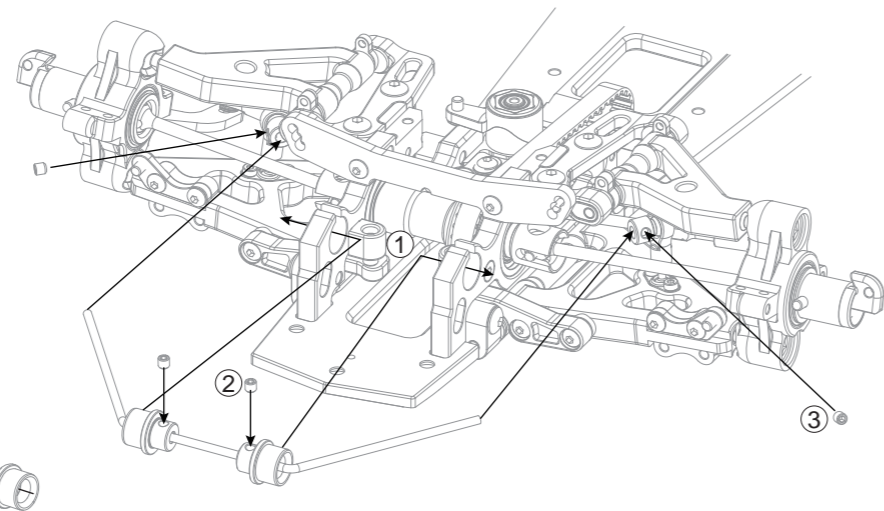
R807015
Front Anti-Roll Bar 2.2mm



R106010
5x8x2.5mm
Ball Bearing (4)



R105401
3x3mm Set



BAG 03



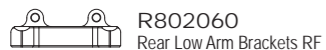
R801113
Pulley Set-Rear



R803010
Rear Solid Axle



R805040
12mm C Clip (6)



R802060
Rear Low Arm Brackets RF



R802021
Rear Bulkhead Low



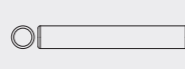
R801024
Suspension Bracket
Insert-Closed (8)



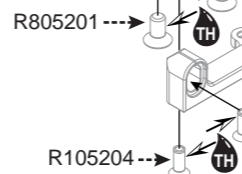
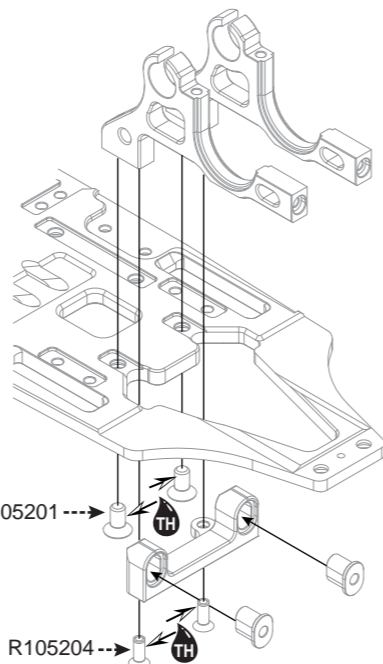
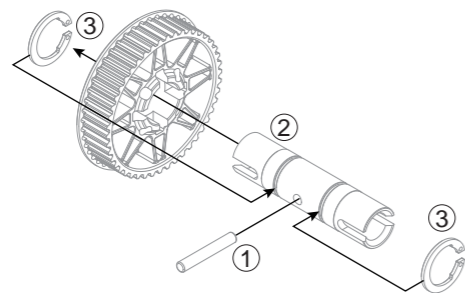
R805201
4x8mm Flat Screw



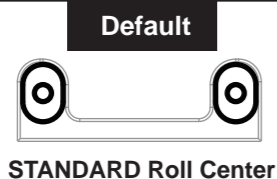
R105204
3x8mm Flat Screw



R806101
Ø3x19.8 Pin (6)



HIGH Roll Center



Default
STANDARD Roll Center



LOW Roll Center

BAG 03



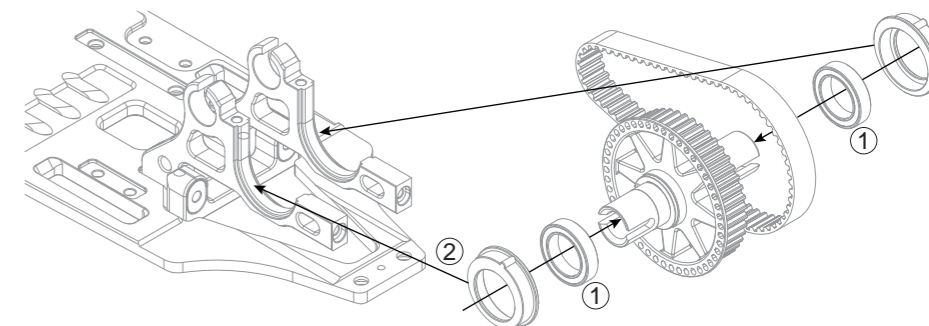
R804031
Rear Belt 201-8



R801040
Excenter Bushing Solid Axle (2)



R806020
12x18x4mm
Ball Bearing (4)



BAG 03



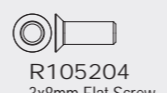
R808006
Rear Upper Link Plate



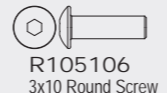
R808003
Rear Shock Tower



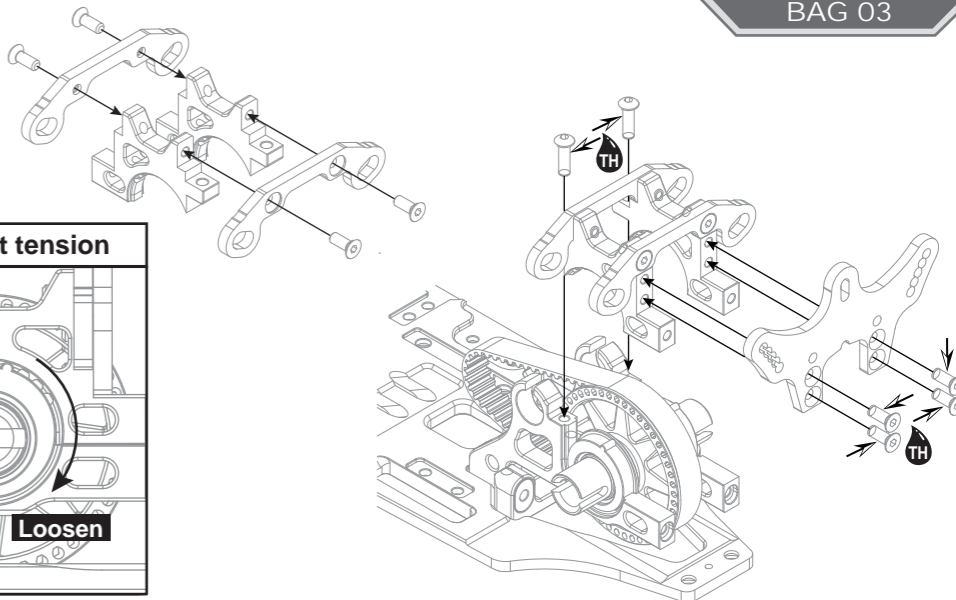
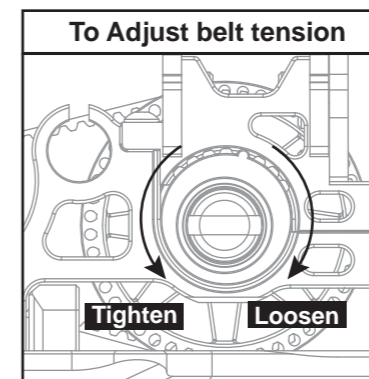
R802022
Rear Bulkhead Upper



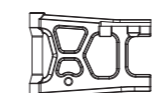
R105204
3x8mm Flat Screw



R105106
3x10 Round Screw



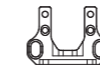
BAG 03



R801010
Rear Low Arm



R801024
Suspension Bracket
Insert-Closed (8)



R802061
Rear Low Arm Brackets RR



R802044
Rear Shock Mount S (2)



R803032
Rear Low Arm Pin (2)



R105104
3x6 Round Screw



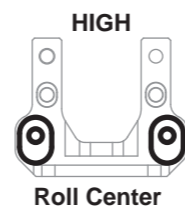
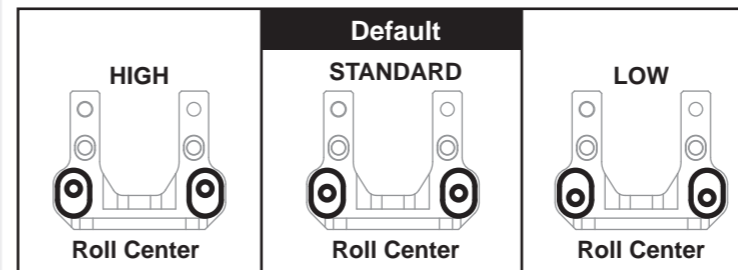
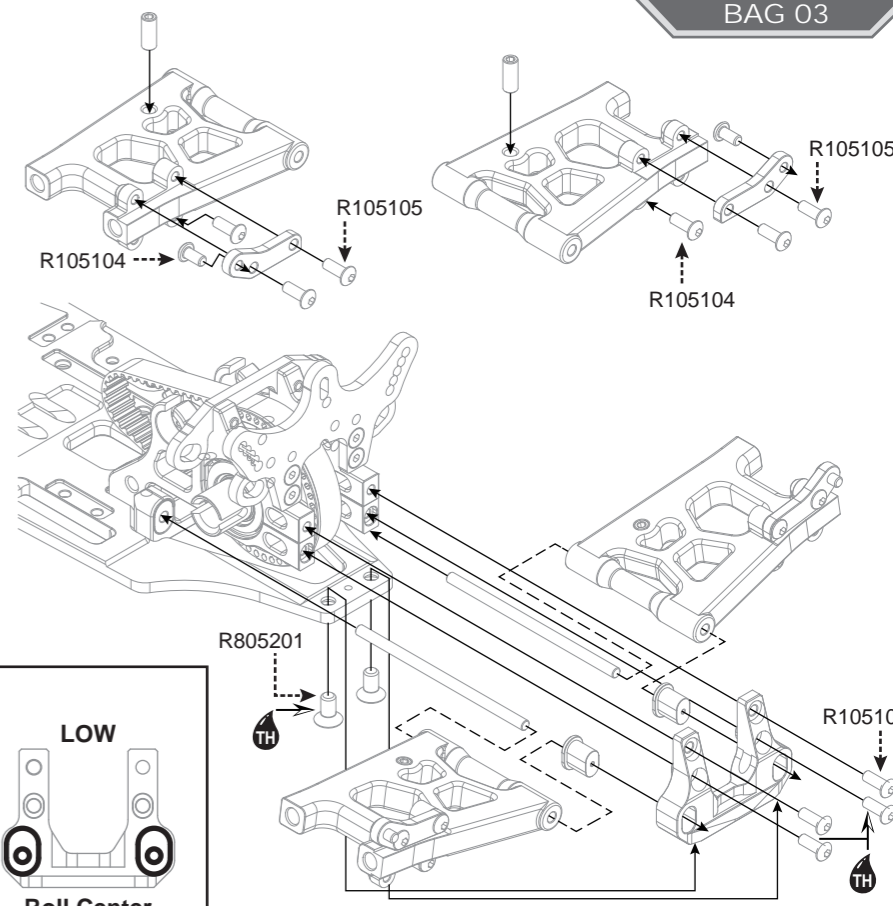
R105105
3x8 Round Screw



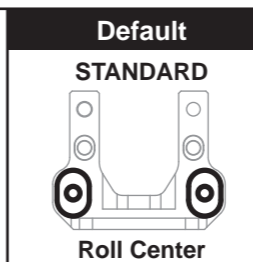
R805201
4x8mm Flat Screw



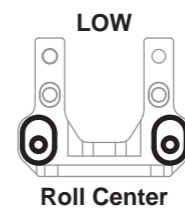
R805053
4x10mm Set



HIGH Roll Center

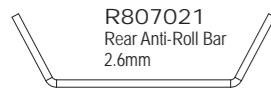


Default
STANDARD Roll Center

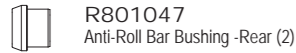


LOW Roll Center

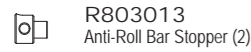
BAG 03



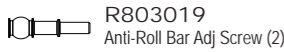
R807021
Rear Anti-Roll Bar
2.6mm



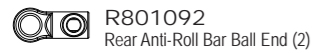
R801047
Anti-Roll Bar Bushing -Rear (2)



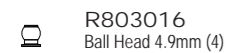
R803013
Anti-Roll Bar Stopper (2)



R803019
Anti-Roll Bar Adj Screw (2)



R801092
Rear Anti-Roll Bar Ball End (2)



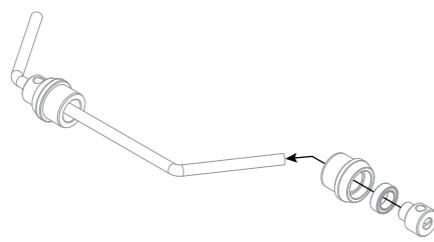
R803016
Ball Head 4.9mm (4)



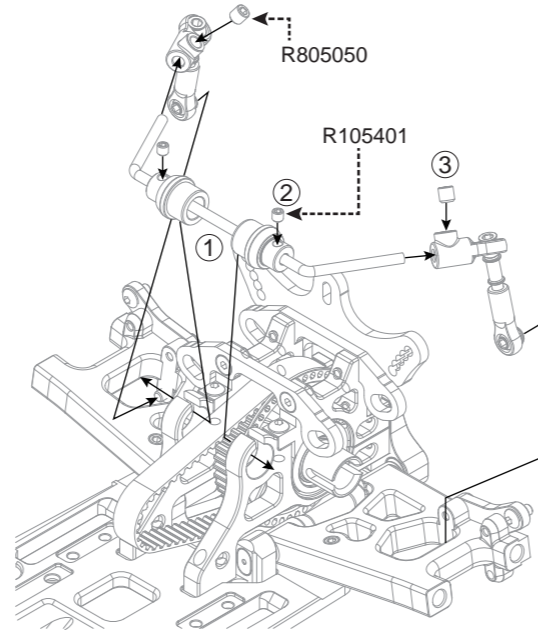
R101070
Ball Joint 4.9mm Open (4)



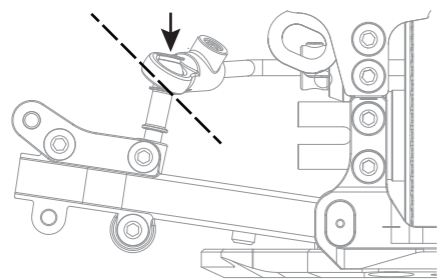
R803102
Anti-Roll Bar Tool



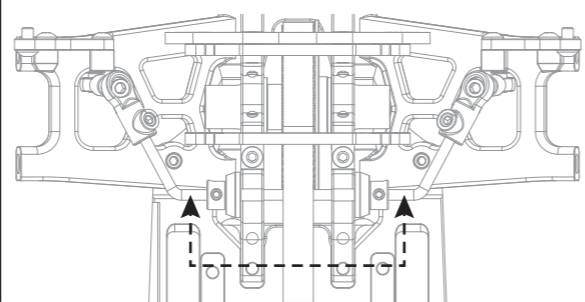
Assemble only this way.



Use R803102 to adjust rear anti roll bar balance.



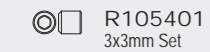
Set the angle of the roll bar ball end as above.



Centre the anti roll bar so that the spacing is equal on both sides.



R106010
5x8x2.5mm
Ball Bearing (2)

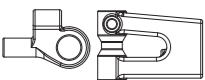


R105401
3x3mm Set



R805050
4x4mm Set

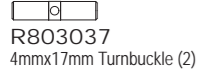
BAG 04



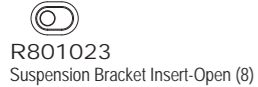
R801093
Rear Upper Arm Set



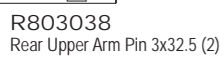
R803024
Ball Head 6.8mm (2)



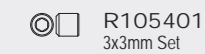
R803037
4mmx17mm Turnbuckle (2)



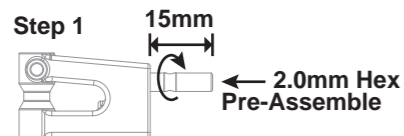
R801023
Suspension Bracket Insert-Open (8)



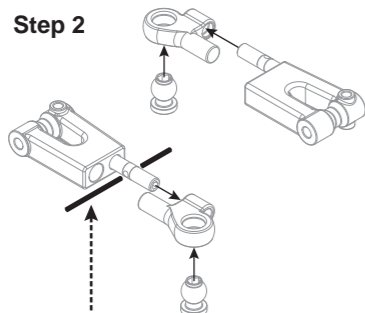
R803038
Rear Upper Arm Pin 3x32.5 (2)



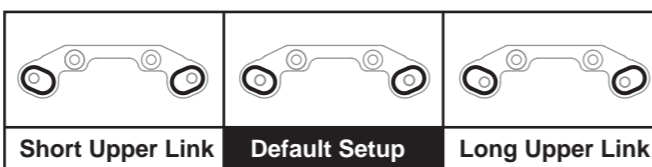
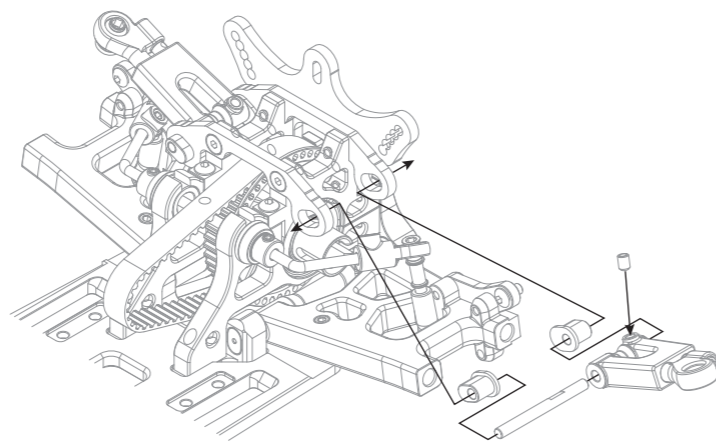
R105401
3x3mm Set



Step 1
15mm
2.0mm Hex Pre-Assemble



Use 1.5mm Steel bar to turn the turnbuckle
PS:DO NOT OVER TIGHT THE UPPER ARM BY 2.0mm HEX TOOL

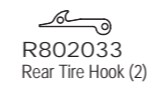


Short Upper Link

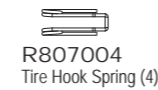
Default Setup

Long Upper Link

BAG 04



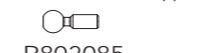
R802033
Rear Tire Hook (2)



R807004
Tire Hook Spring (4)



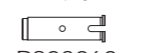
R804003
7.9mm Ball end Nut (4)



R802085
7.9mm Ball End Short-Alu (2)



R801050
Rear Upright



R803060
Rear Wheel Axle (2)



R801043
Excenter Rear Upright
Bushing +1mm (x4)
+0mm (x4)



R803050
12.1x15x0.3mm (10)



R806020
12x18x4mm
Ball Bearing (4)



R803051
12.1x15x0.5mm (10)



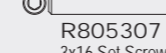
R105401
3x3mm Set



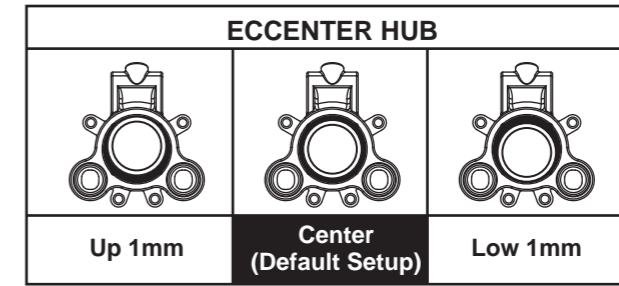
R806020
12x18x4mm
Ball Bearing (4)



R806101
03x19.8 Pin (6)



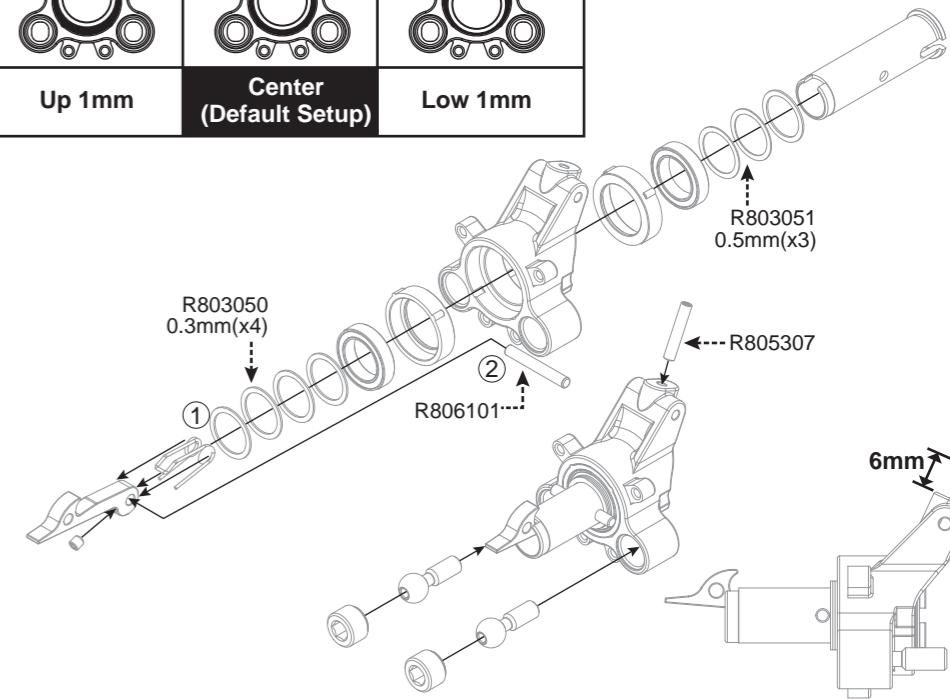
R805307
3x16 Set Screw (6)



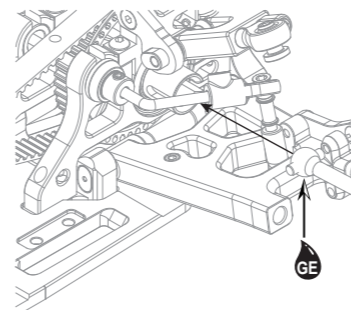
Up 1mm

Center
(Default Setup)

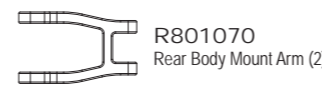
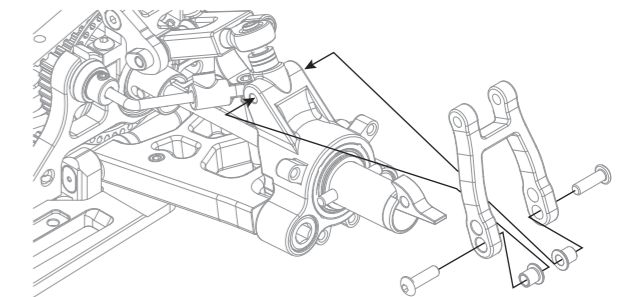
Low 1mm



BAG 04



R801082(1mm)
R801082(2mm)



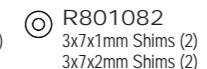
R801070
Rear Body Mount Arm (2)



R802083
Rear Drive Shaft-Alu (2)



R103007
Steering Block Bushing (4)



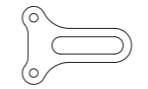
R801082
3x7x1mm Shims (2)
3x7x2mm Shims (2)



R105106
3x10 Round Screw



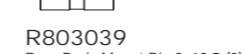
R801071
Rear Body Mount



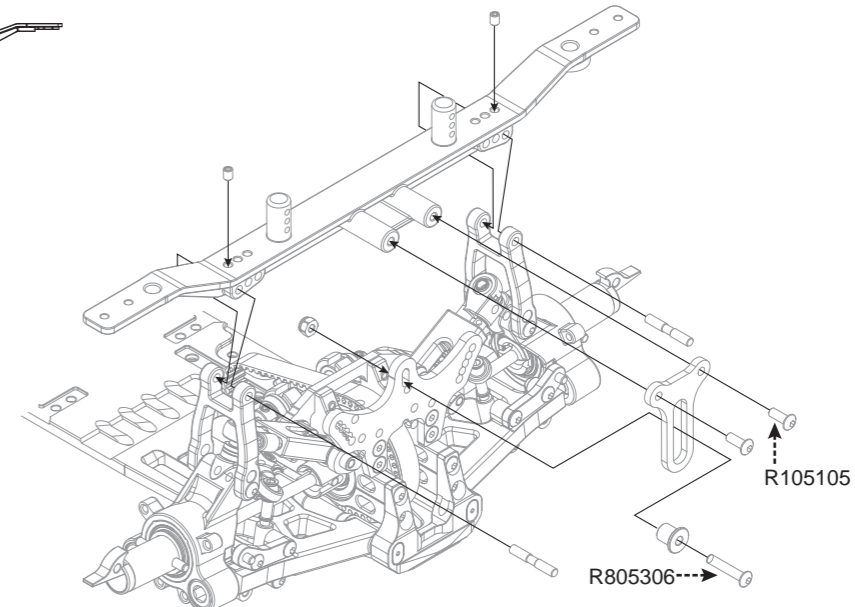
R808007
Rear Body Mount Plate



R803042
Rear Body Mount Nut



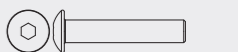
R803039
Rear Body Mount Pin 3x19.5 (2)



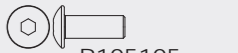
R105105

R805306

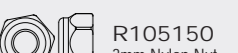
BAG 04



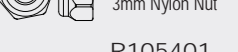
R105109
3x16 Round Screw



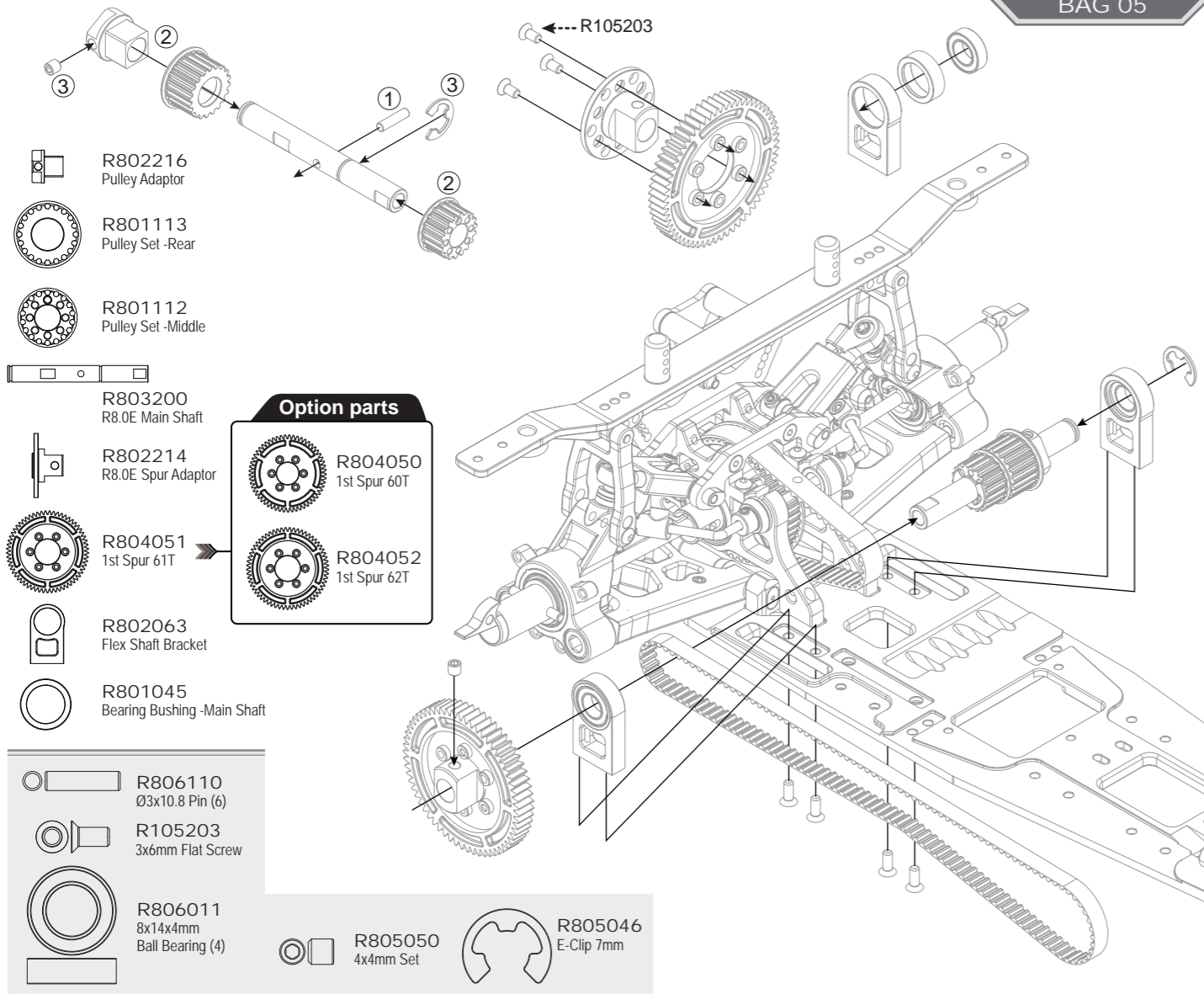
R105105
3x8 Round Screw



R105150
3mm Nylon Nut

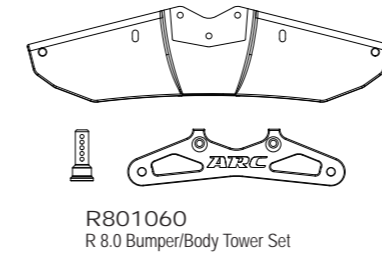
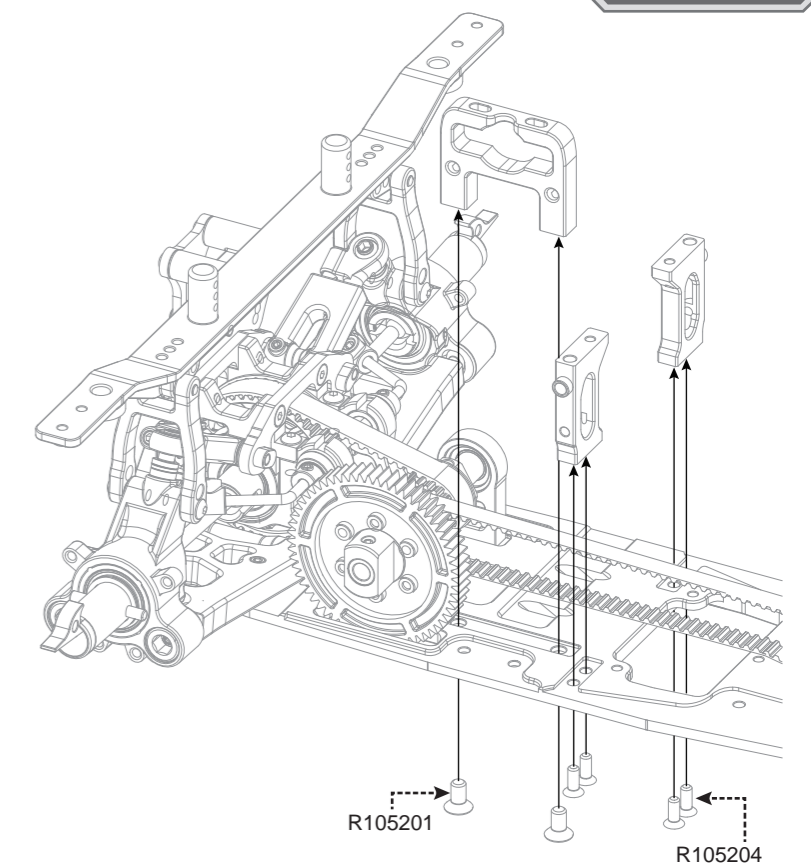


R105401
3x4mm Set



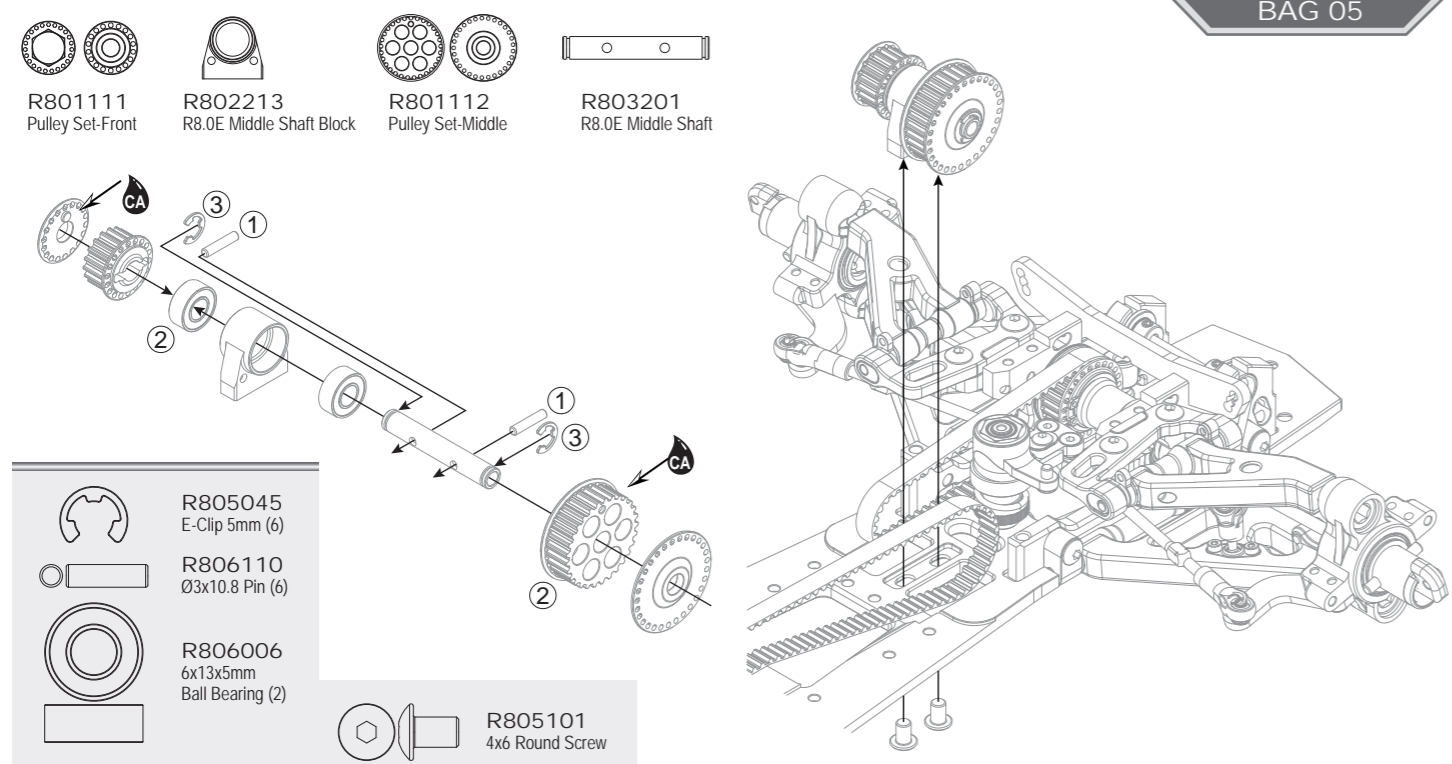
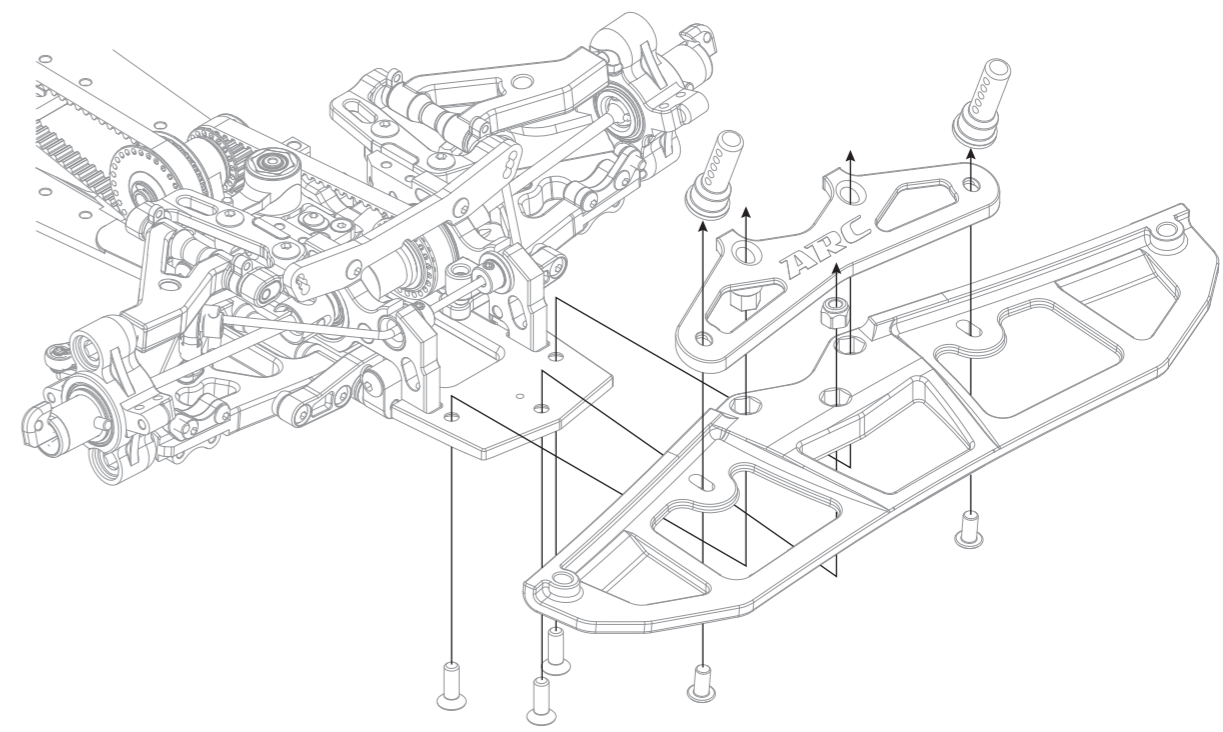
- R802210 R8.0E Motor Bulkhead
- R802011 Center Bulkhead

- R105204 3x8mm Flat Screw
- R805201 4x8mm Flat Screw

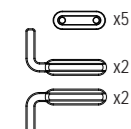


- R805302 4mm
- R805102 4x8 Round Screw
- R805203 4x12mm Flat Screw

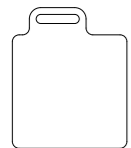
R801060 R 8.0 Bumper/Body Tower Set



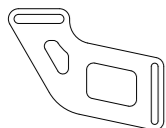
BAG 05



R801210
Battery Mount



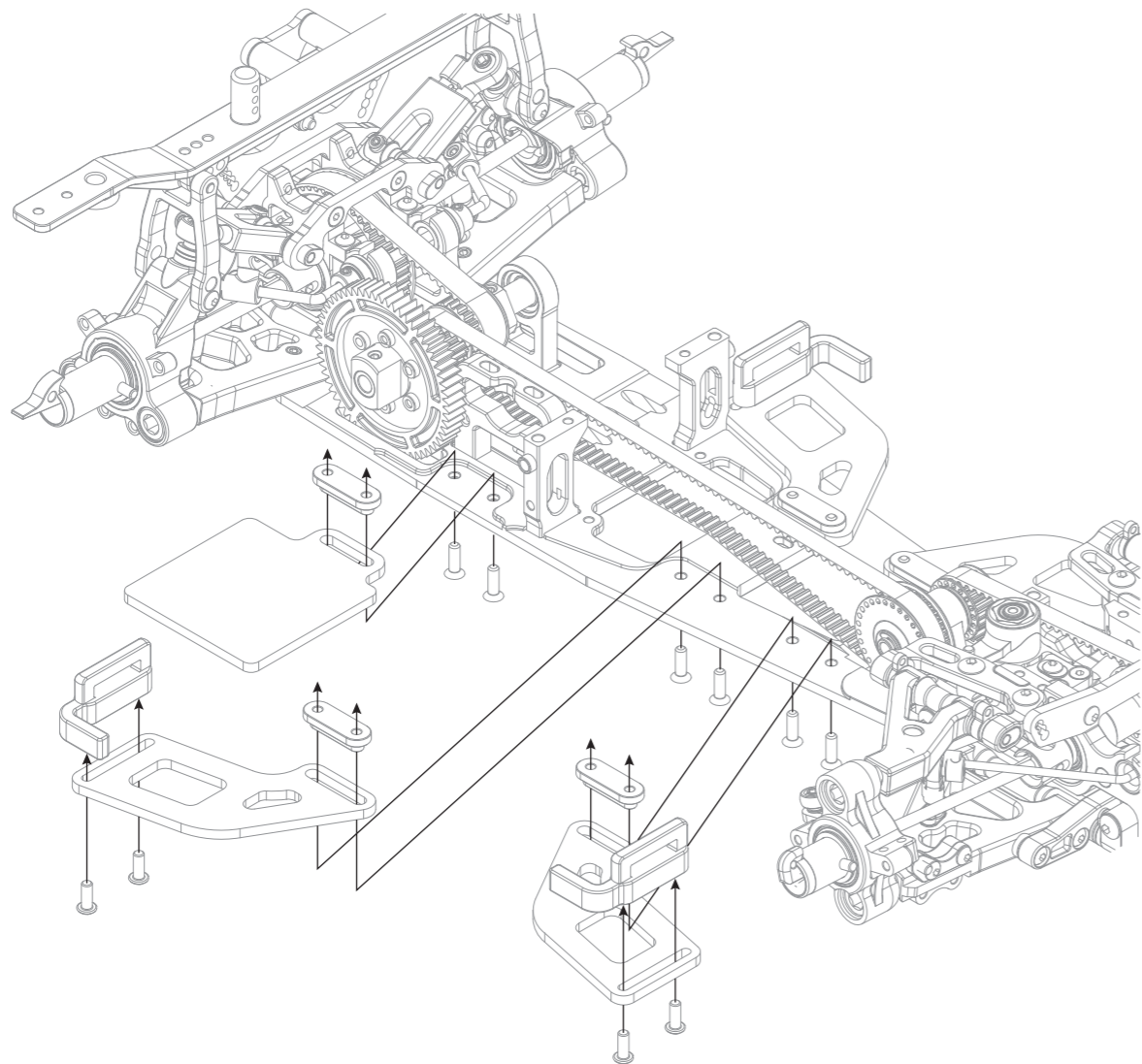
R808104
ESC Holder



R808103
Battery Holder Carbon (2)

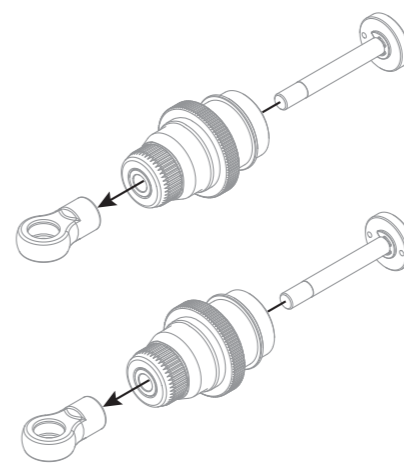


R105106
3x10 Round Screw

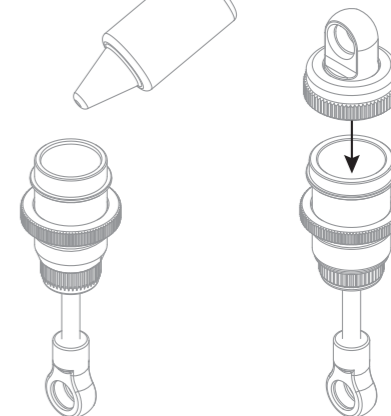


BAG 06

R101040
Shock Ball Joint Set



#500



BAG 06



R101040
Shock Ball Joint Set



R103009
5.8mm Ball End (4)



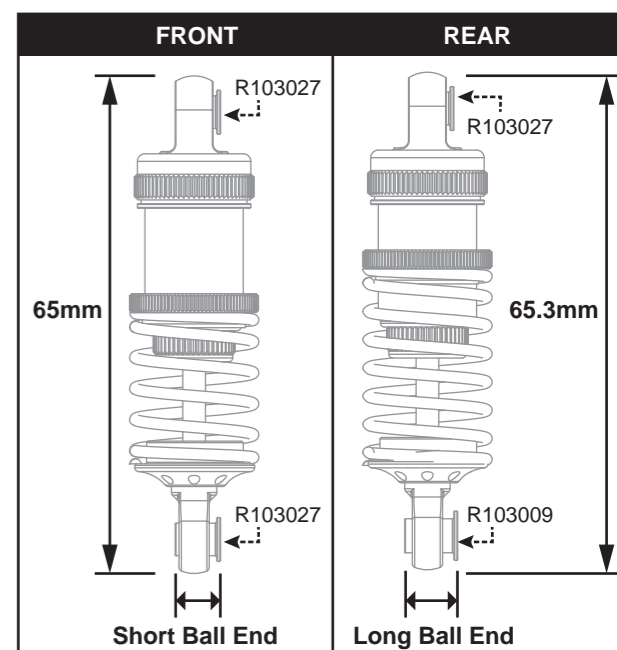
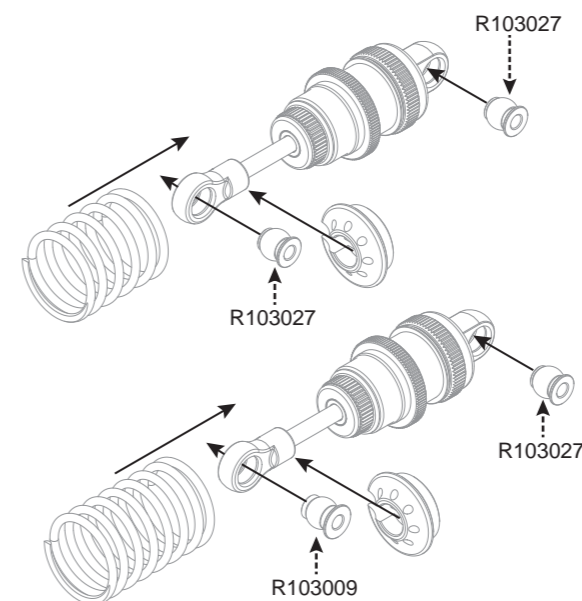
R103027
5.8mm Ball End Short (4)



R807052
Shock Spring Front (Yellow)



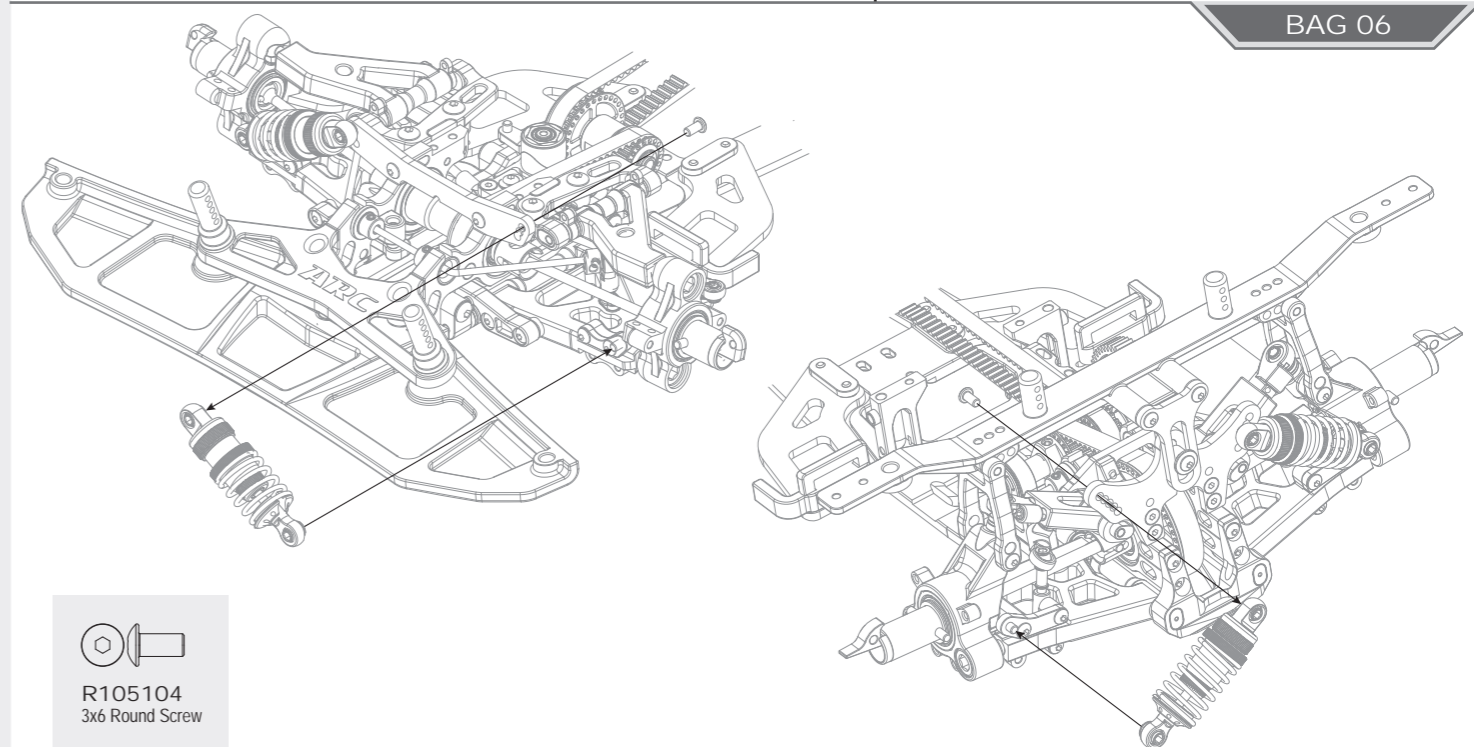
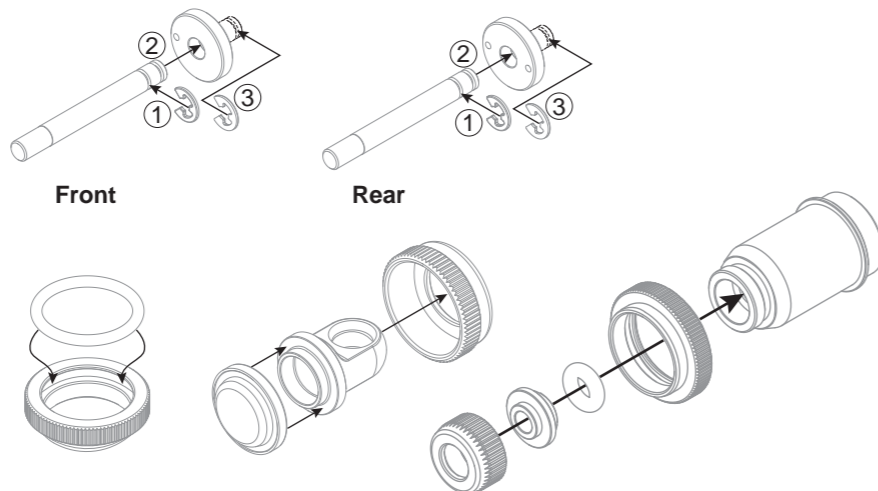
R807062
Shock Spring Rear (Blue)



BAG 06


- R104021 Shock Piston Big Bore Long 1.1mm x2 (4)
- R104022 Shock Piston Big Bore Long 1.1mm x1 (4)
- R103013 Shock Shaft (2)
- R102008 Shock Cap Alu (2)
- R104013 O'ring 13x1 (4)
- R101040 Shock Ball Joint Set
- R102009 Shock Low Cap Alu (2)
- R102010 Shock ADJ Nut Alu (2)
- R104002 O'ring 3x2 (4)

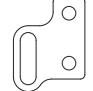
- R104007 Shock Membrane (4)
- R102068 Shock Body Long (2)
- R104015 Shock Shaft Shim (4)
- R105501 E-Clip 2mm (10)





R105104
3x6 Round Screw

BAG 06

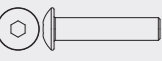
 R802212
R8.0E Servo Holder-Alu


 R808106
R8.0E Belt Tensioner Plate

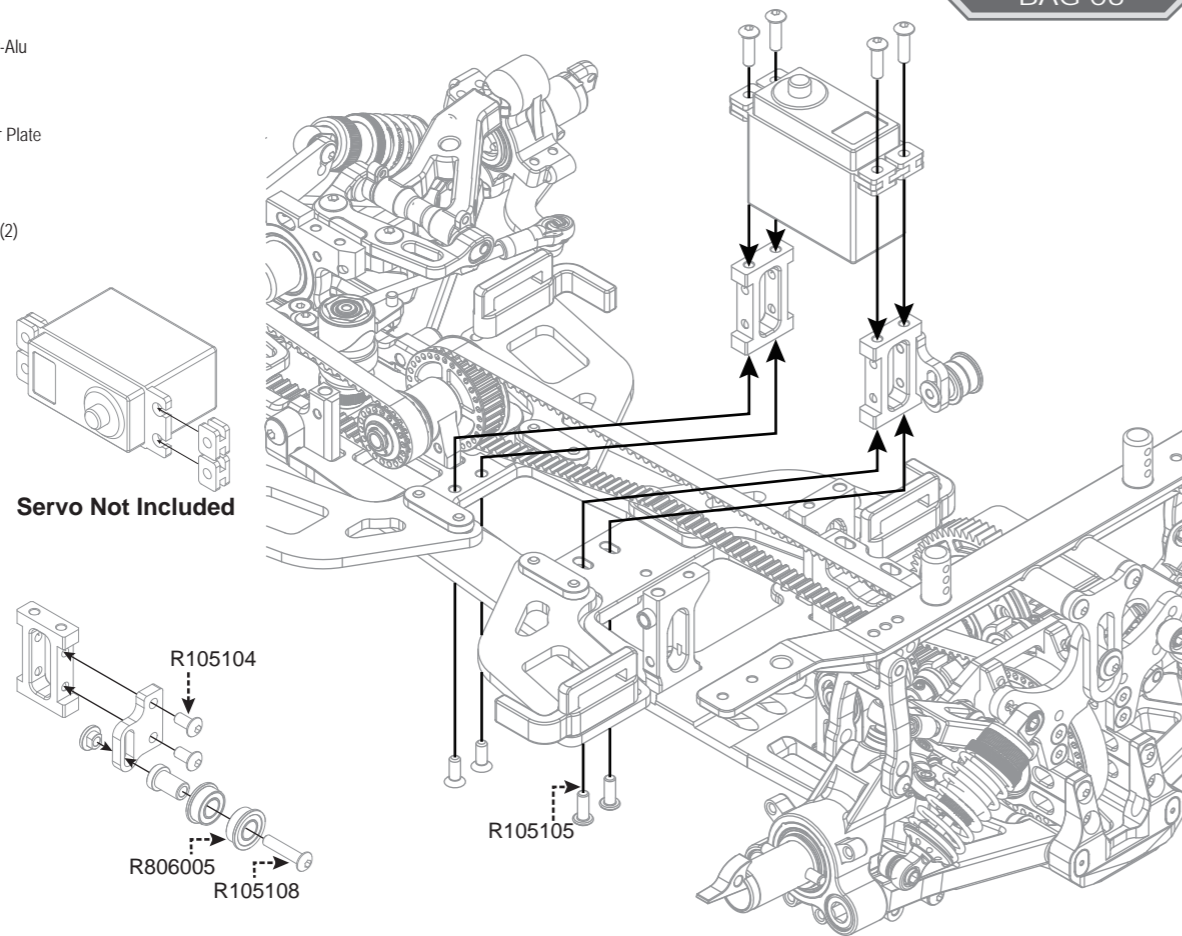
 R802050
Belt Tensioner Shaft (2)

 R105104
3x6 Round Screw

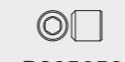
 R105105
3x8 Round Screw

 R805108
3x14 Round Screw

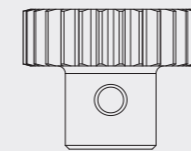
 R806005
5x10x4mm



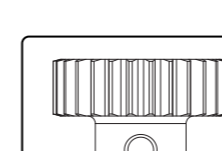
 R802211
R8.0E Motor Adaptor

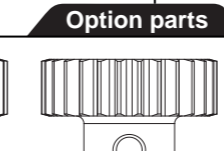
 R805050
4x4mm Set

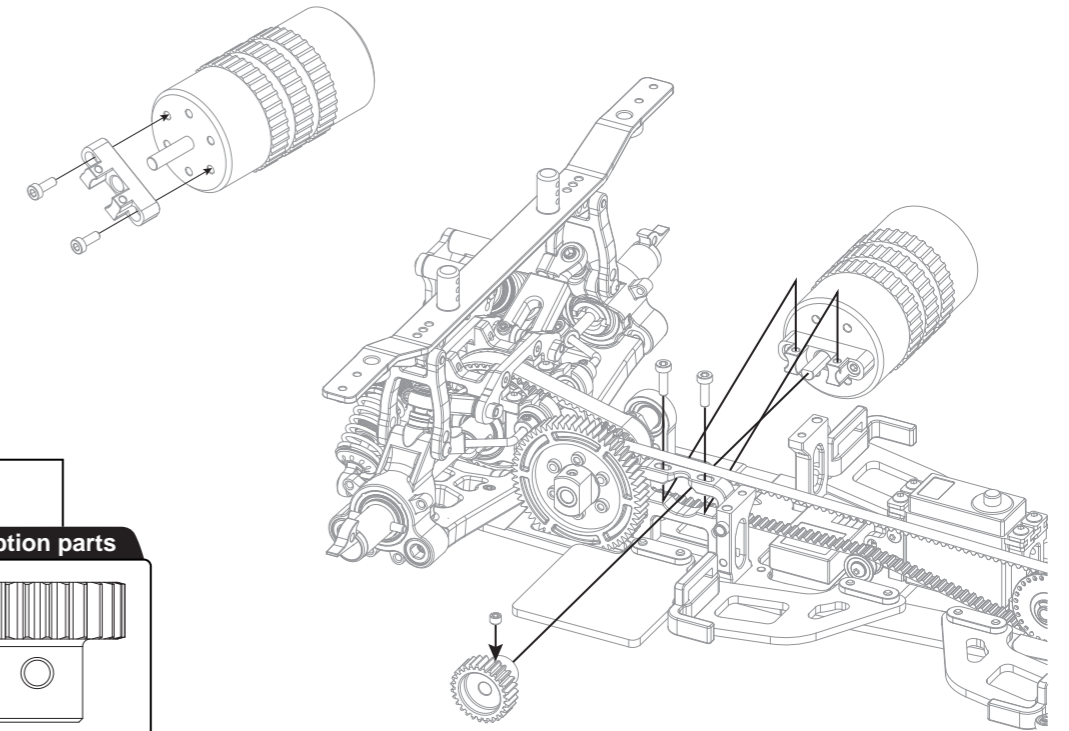
 R105302
3x10mm

 R802221
R8.0E Pinion 27T

Option parts

 R802220
R8.0E Pinion 26T

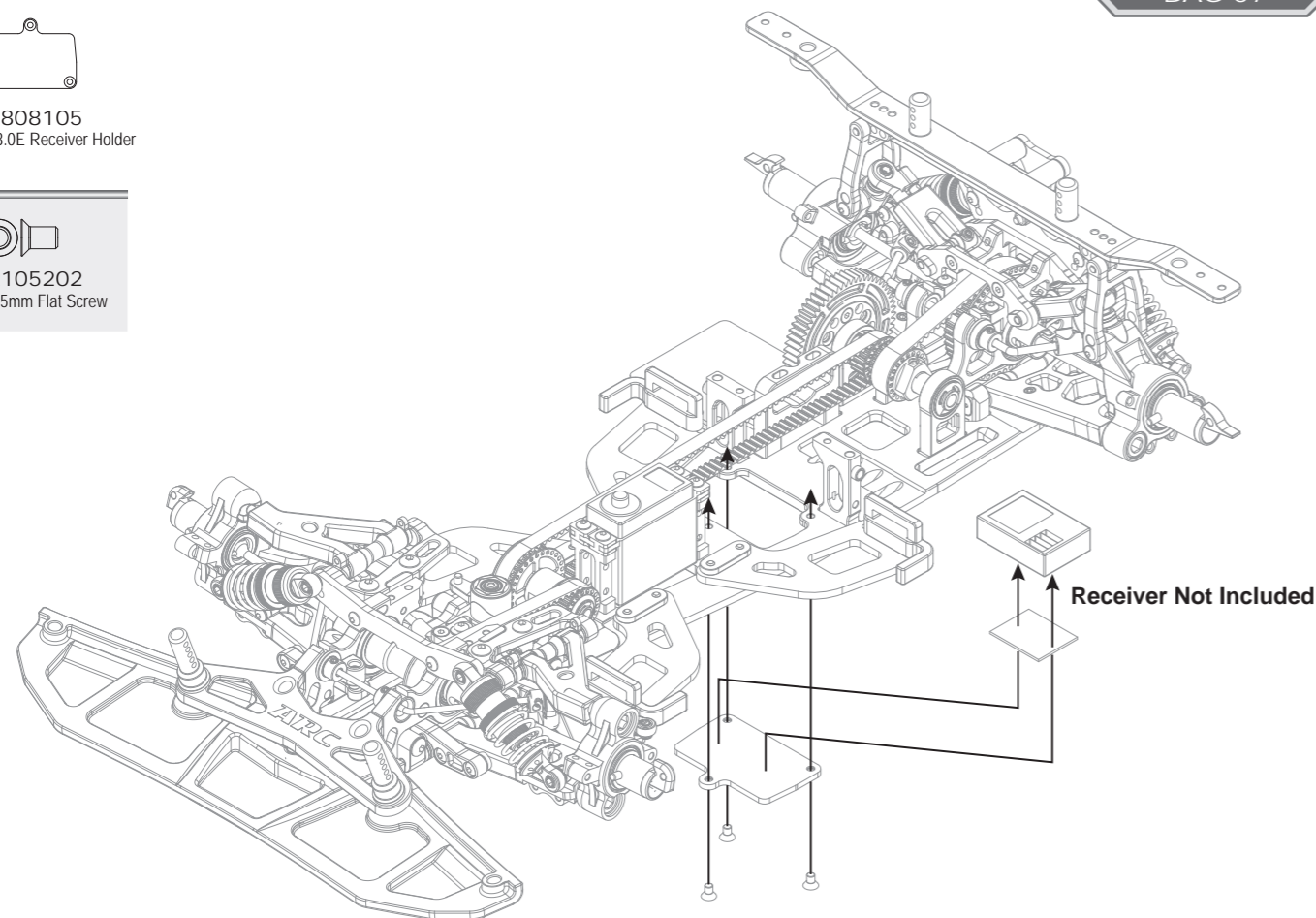
 R802222
R8.0E Pinion 28T



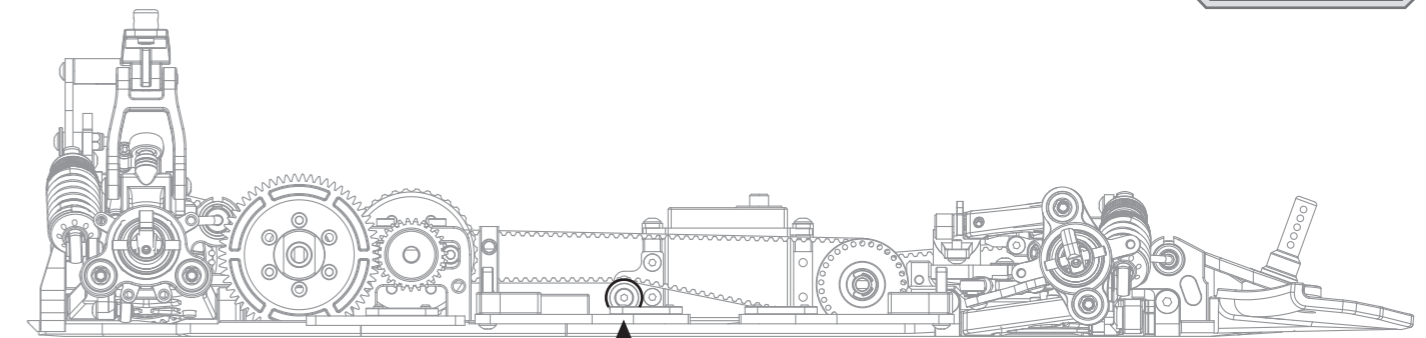
BAG 07

 R808105
R8.0E Receiver Holder

 R105202
3x5mm Flat Screw



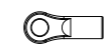
BAG 07




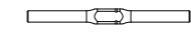
Adjust the middle belt tension here.


BAG 07


 R101060
Servo Horn / Bell crank

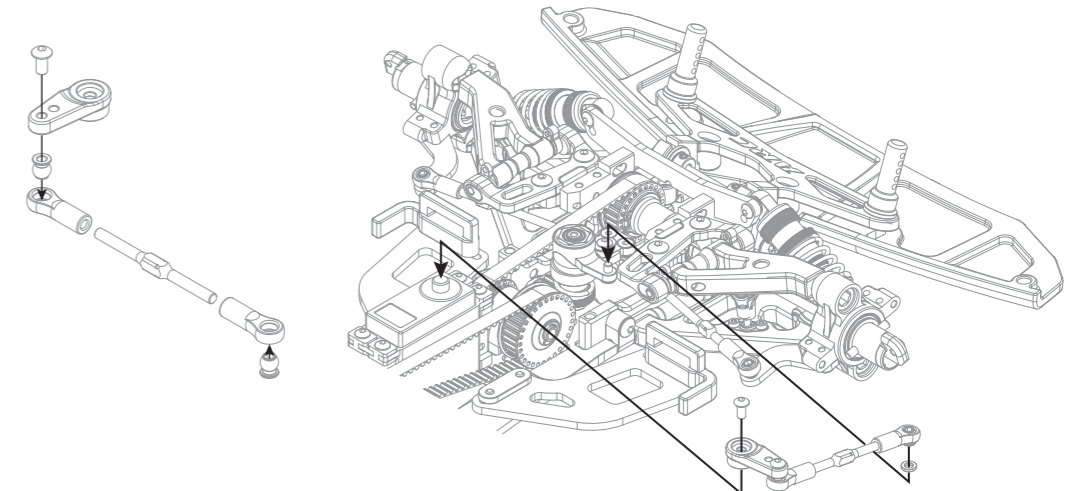
 R101070
Ball Joint 4.9mm Open (4)

 R803016
Ball Head 4.9mm (4)

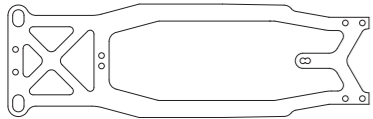
 R102817
Turnbuckle 3x43mm

 R801082
3x7x1mm Shims

 R105104
3x6 Round Screw



BAG 07



R808101
R8.0E Upper Deck

- R80110D
Antenna Holder
- R102038
Aluminum Tower (2)

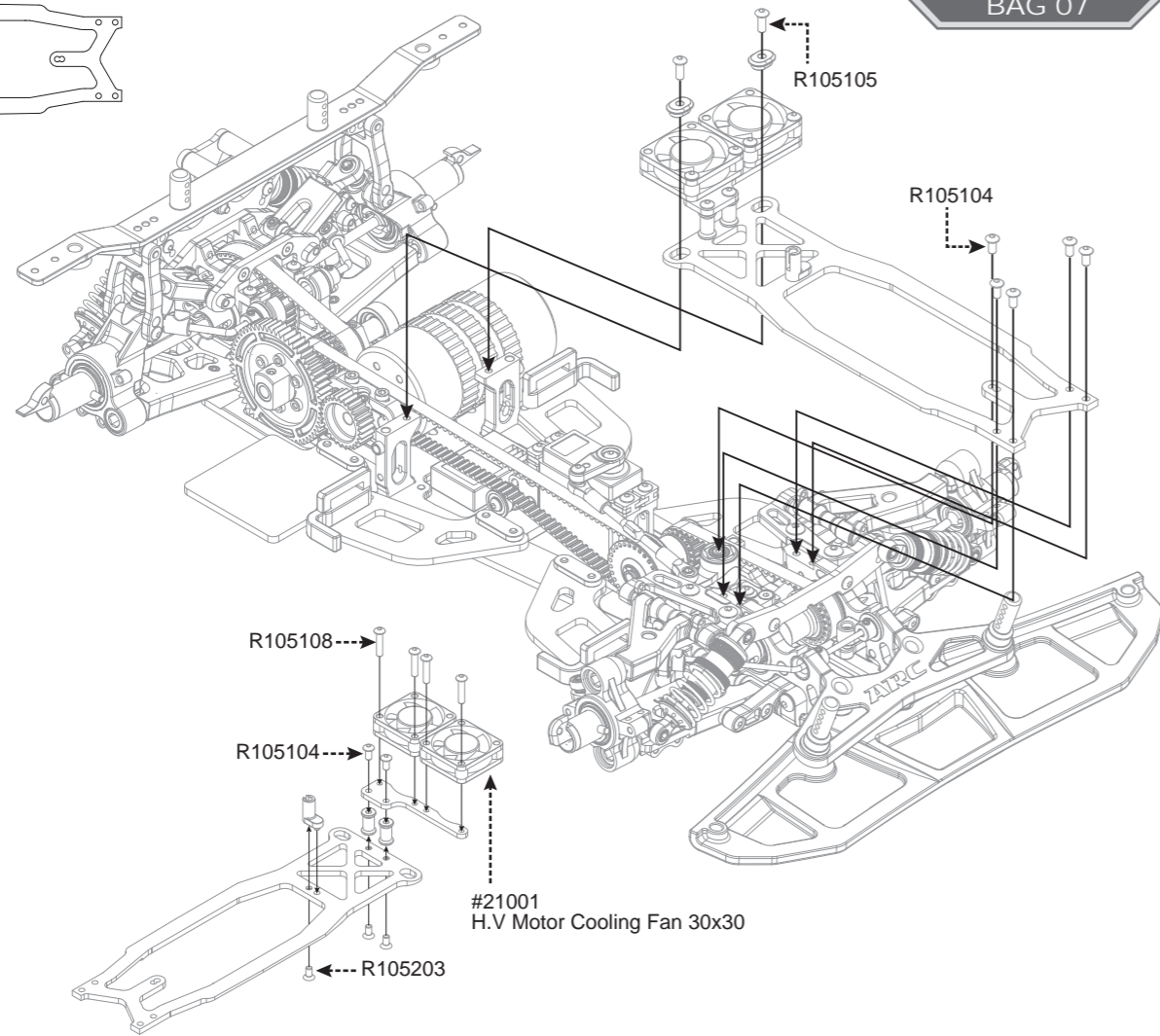
- R808107
R8.0E Fan Mount
- R801109
Upper Deck Insert (2)

R105203
3x6mm Flat Screw

R105104
3x6 Round Screw

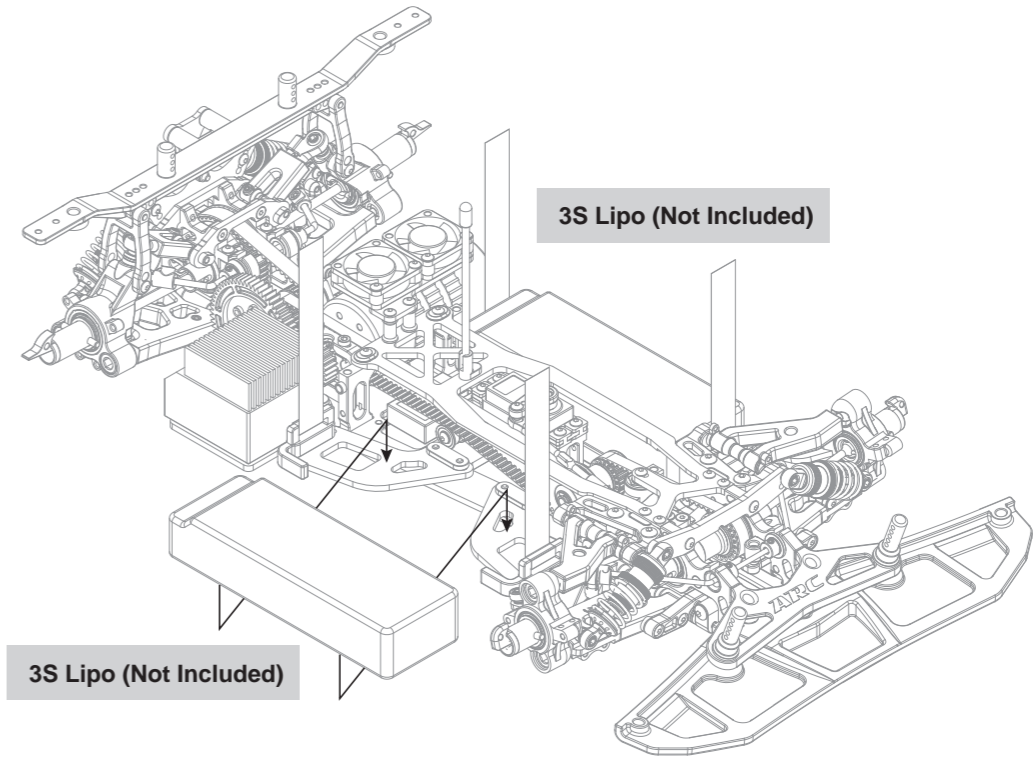
R105105
3x8 Round Screw

R105108
3x14 Round Screw



#21001
H.V Motor Cooling Fan 30x30

BAG 07



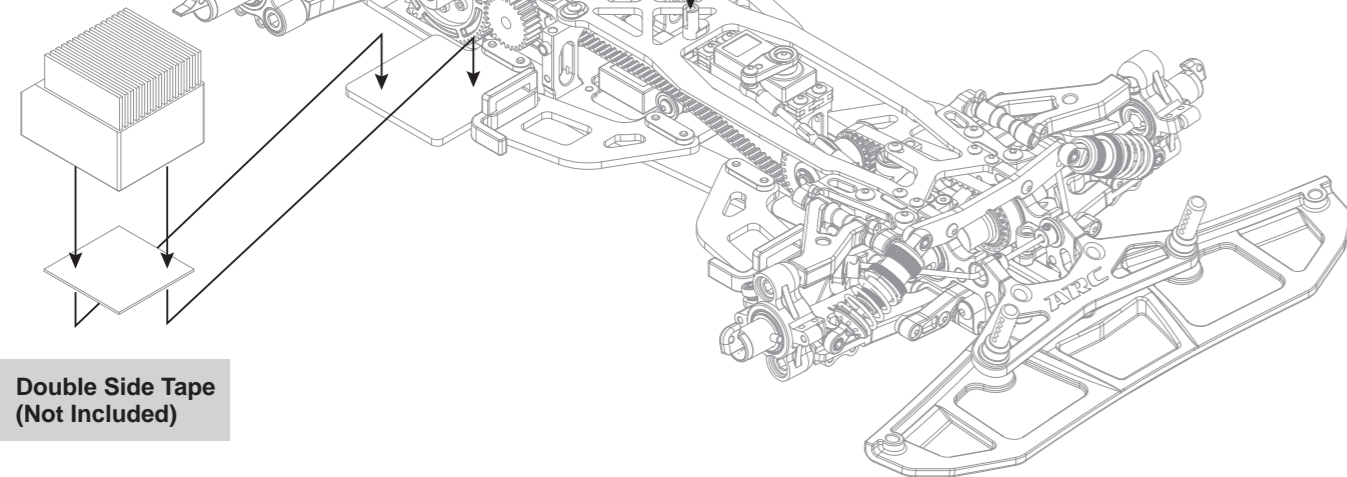
3S Lipo (Not Included)

3S Lipo (Not Included)

BAG 07

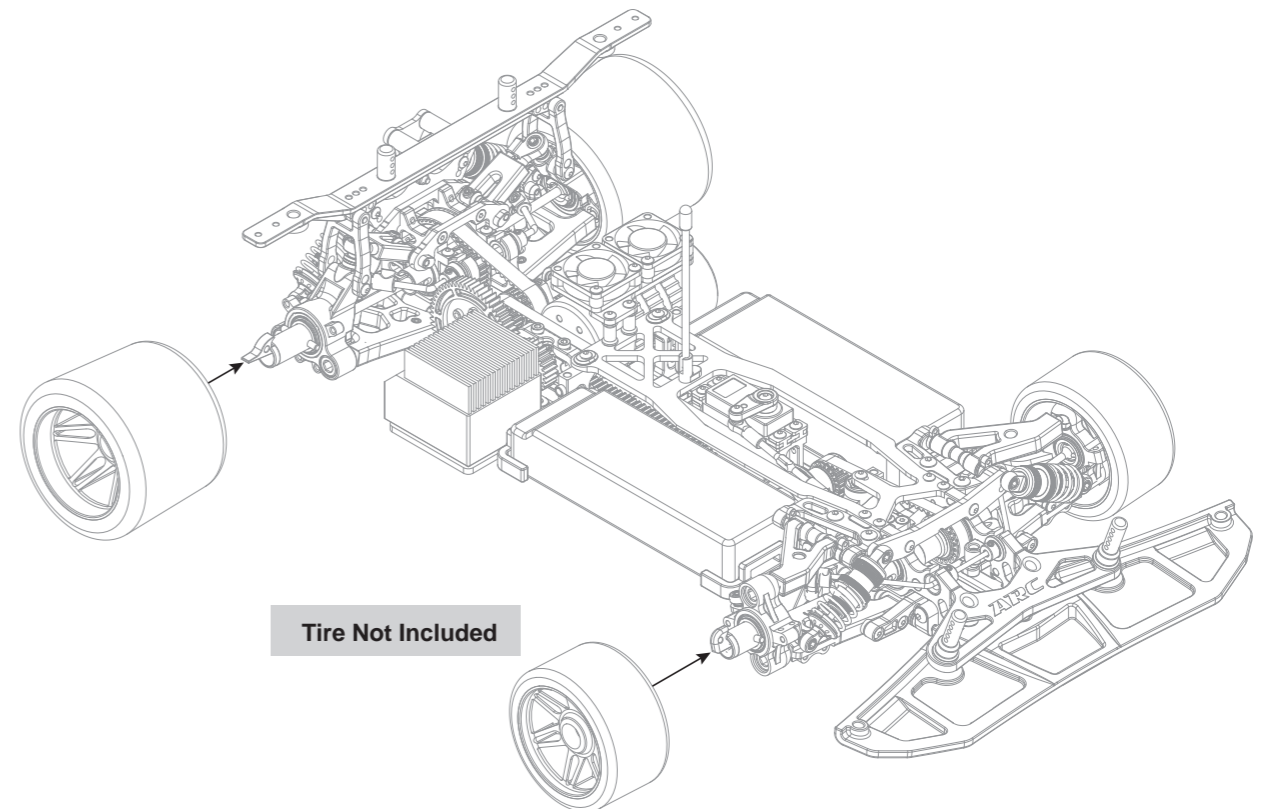
R104150
Antenna

1/8th ESC
Not Included



Double Side Tape
(Not Included)

BAG 07



Tire Not Included

RACE
 TRACK
 NAME
 CITY / COUNTRY
 DATE

TEMPERATURE AIR TRACK
 QUALIFYING POSITION BEST LAP TIME FINAL POSITION RACE LENGTH
 TRACK CONDITION TECHNICAL MIXED FAST
 TRACTION LOW MEDIUM HIGH

GEAR RATIO CHART

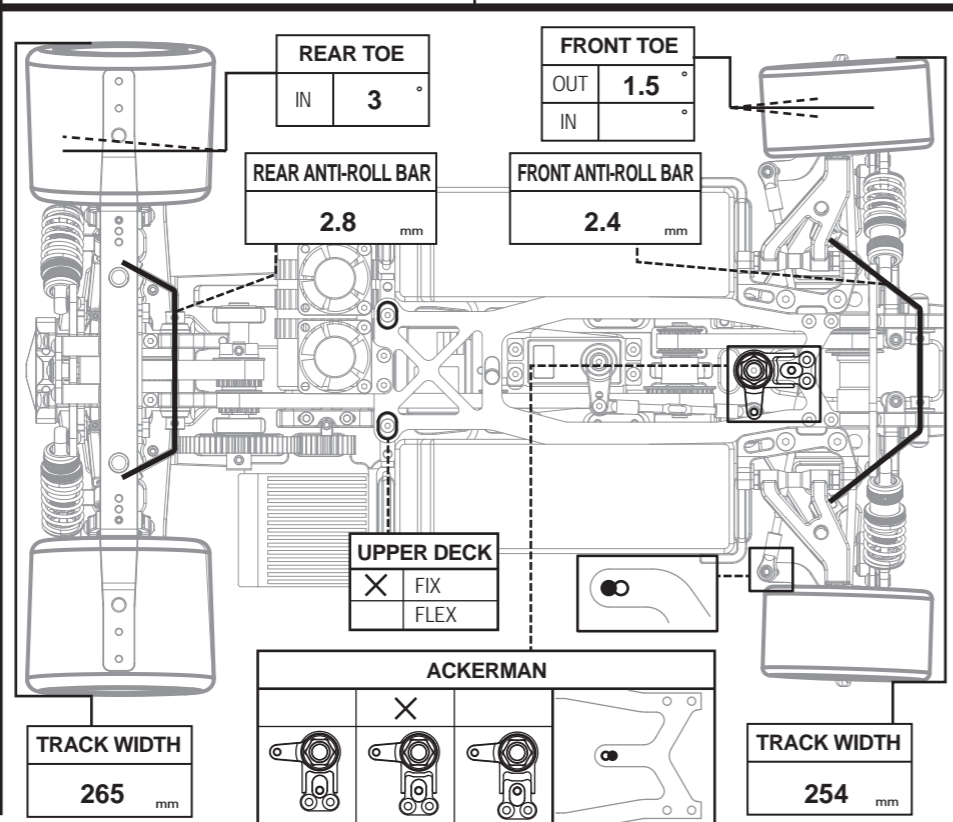
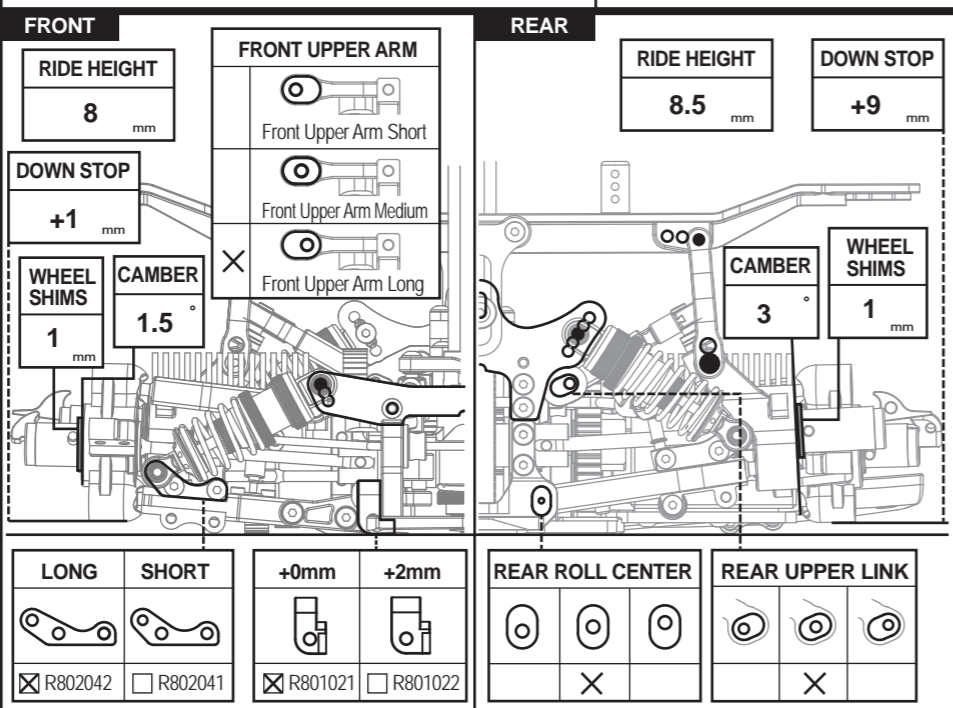
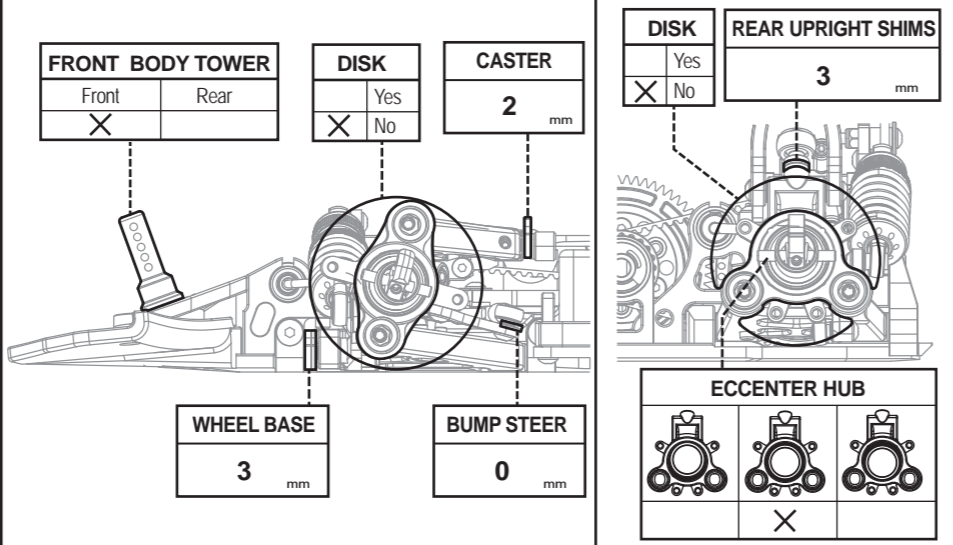
Spur / Pinion	60	61	62
26	<input type="checkbox"/> 5.31	<input type="checkbox"/> 5.40	<input type="checkbox"/> 5.48
27	<input type="checkbox"/> 5.11	<input checked="" type="checkbox"/> 5.20	<input type="checkbox"/> 5.28
28	<input type="checkbox"/> 4.93	<input type="checkbox"/> 5.01	<input type="checkbox"/> 5.09

SHOCK Front Rear
 OIL 1 HOLE SHOCK PISTON 1 HOLE OIL
 2 HOLE 2 HOLE
 SPRING Red Green

TIRE Front Rear
 Front Left Tire Shore Rear Left
 Front Right Tire Shore Rear Right
 Front Left Tire Ø Rear Left
 Front Right Tire Ø Rear Right
 Tire Additive

BODY
 Bumper Standard Cut
 BODY MOUNT DISTANCE
 BODY TS040 WING 6 mm

NOTE



RACE
 TRACK
 NAME
 CITY / COUNTRY
 DATE

TEMPERATURE AIR TRACK
 QUALIFYING POSITION BEST LAP TIME FINAL POSITION RACE LENGTH
 TRACK CONDITION TECHNICAL MIXED FAST
 TRACTION LOW MEDIUM HIGH

GEAR RATIO CHART

Spur / Pinion	60	61	62
26	<input type="checkbox"/> 5.31	<input type="checkbox"/> 5.40	<input type="checkbox"/> 5.48
27	<input type="checkbox"/> 5.11	<input type="checkbox"/> 5.20	<input type="checkbox"/> 5.28
28	<input type="checkbox"/> 4.93	<input type="checkbox"/> 5.01	<input type="checkbox"/> 5.09

SHOCK Front Rear
 OIL 1 HOLE SHOCK PISTON 1 HOLE OIL
 2 HOLE 2 HOLE
 SPRING Red Green

TIRE Front Rear
 Front Left Tire Shore Rear Left
 Front Right Tire Shore Rear Right
 Front Left Tire Ø Rear Left
 Front Right Tire Ø Rear Right
 Tire Additive

BODY
 Bumper Standard Cut
 BODY MOUNT DISTANCE

NOTE

