

RACE

TRACK

NAME

CITY / COUNTRY

DATE

TEMPERATURE	AIR	TRACK	
QUALIFYING POSITION	BEST LAPTIME SEC	FINAL POSITION	RACE LENGTH MIN
TRACK CONDITION	<input type="checkbox"/> TECHNICAL	<input type="checkbox"/> MIXED	<input type="checkbox"/> FAST
TRACTION	<input type="checkbox"/> LOW	<input type="checkbox"/> MEDIUM	<input type="checkbox"/> HIGH

### GEAR RATIO CHART

Spur	Spur 1st			Spur 2nd		
Pinion	60	61	62	56	57	58
1st 19T	<input type="checkbox"/>	<input type="checkbox"/>	<input type="checkbox"/>	5.37	5.46	5.56
2nd 24T	7.26	7.38	7.51	<input type="checkbox"/>	<input type="checkbox"/>	<input type="checkbox"/>

**SHOCK**

Front: OIL  1 HOLE  2 HOLE CST SPRING

Rear: OIL  1 HOLE  2 HOLE CST SPRING

SHOCK PISTON:  1 HOLE  2 HOLE

HOLE SIZE:  mm

**TIRE**

Front Left:  °

Front Right:  °

Rear Left:  °

Rear Right:  °

Tire Shore:

Tire Ø:  mm

Tire Additive:

**BODY**

Bumper:  Standard  Cut

BODY MOUNT DISTANCE:  mm

Wing:  mm

**ENGINE**

Engine:

Pipe:

Plug:

Carb Dia:  mm

Fuel:

Head Shims:  mm

**CLUTCH**

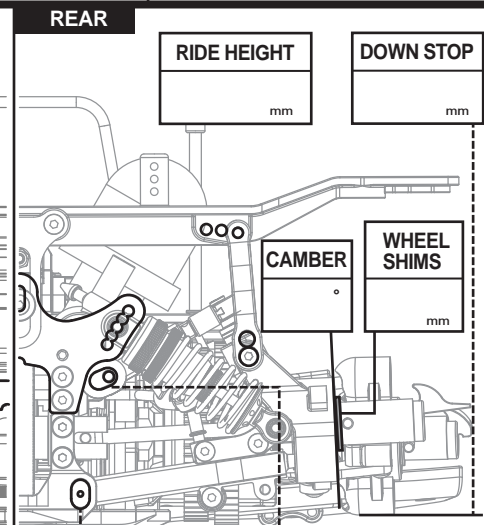
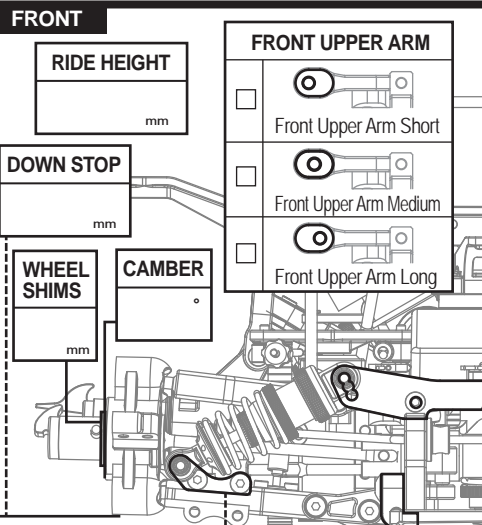
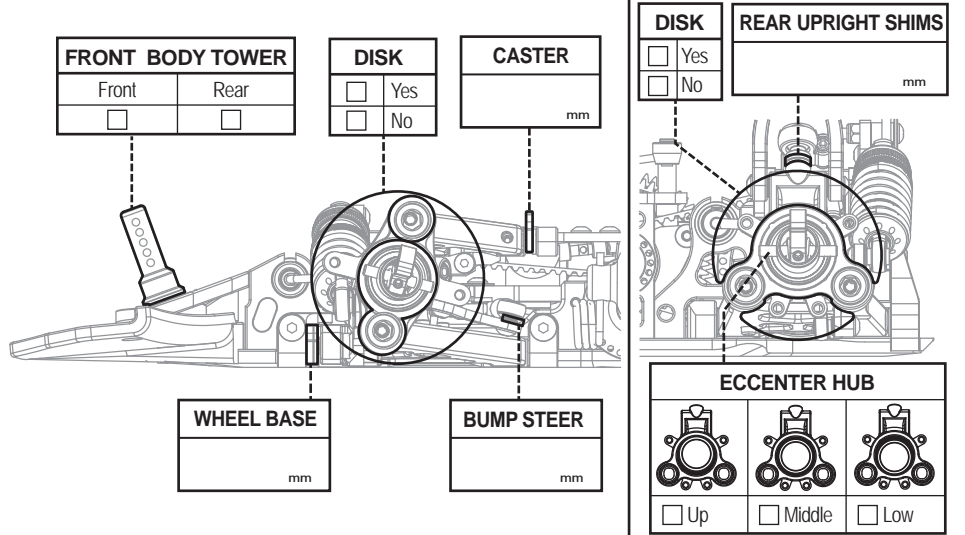
Clutch Bell:

Clutch Shoes:

Spring Load:  mm

Bell Clearance:  mm

**NOTE**



**LONG SHORT**

R802042  R802041

**+0mm +2mm**

R801021  R801022

**REAR ROLL CENTER**

**REAR UPPER LINK**

