

RACE

TRACK

NAME

CITY / COUNTRY

DATE

TEMPERATURE	AIR	TRACK	
QUALIFYING POSITION	BEST LAPTIME SEC	FINAL POSITION	RACE LENGTH MIN
TRACK CONDITION	<input type="checkbox"/> TECHNICAL	<input type="checkbox"/> MIXED	<input type="checkbox"/> FAST
TRACTION	<input type="checkbox"/> LOW	<input type="checkbox"/> MEDIUM	<input type="checkbox"/> HIGH

GEAR RATIO CHART

Spur	Spur 1st			Spur 2nd		
Pinion	60	61	62	56	57	58
1st 19T	<input type="checkbox"/>	<input type="checkbox"/>	<input type="checkbox"/>	5.37	5.46	5.56
2nd 24T	7.26	7.38	7.51	<input type="checkbox"/>	<input type="checkbox"/>	<input type="checkbox"/>

SHOCK

Front: OIL 1 HOLE 2 HOLE CST SPRING

Rear: OIL 1 HOLE 2 HOLE CST SPRING

SHOCK PISTON: 1 HOLE 2 HOLE

HOLE SIZE: mm

TIRE

Front Left: °

Front Right: °

Rear Left: °

Rear Right: °

Tire Shore:

Tire Ø: mm

Tire Additive:

BODY

Bumper: Standard Cut

BODY MOUNT DISTANCE: mm

BODY: mm

WING: mm

ENGINE

Engine:

Pipe:

Plug:

Carb Dia: mm

Fuel:

Head Shims: mm

CLUTCH

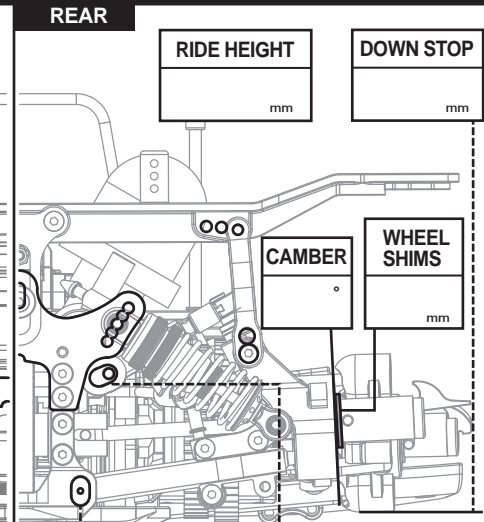
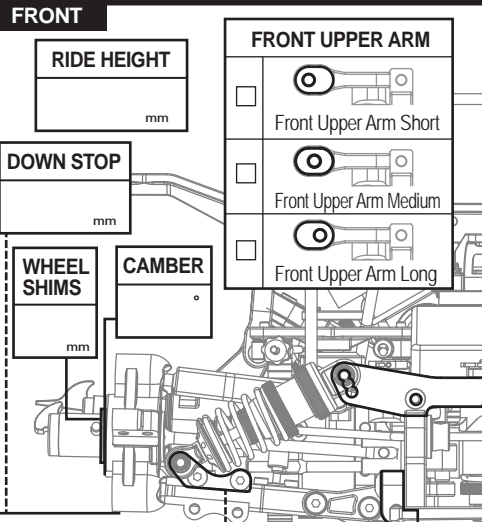
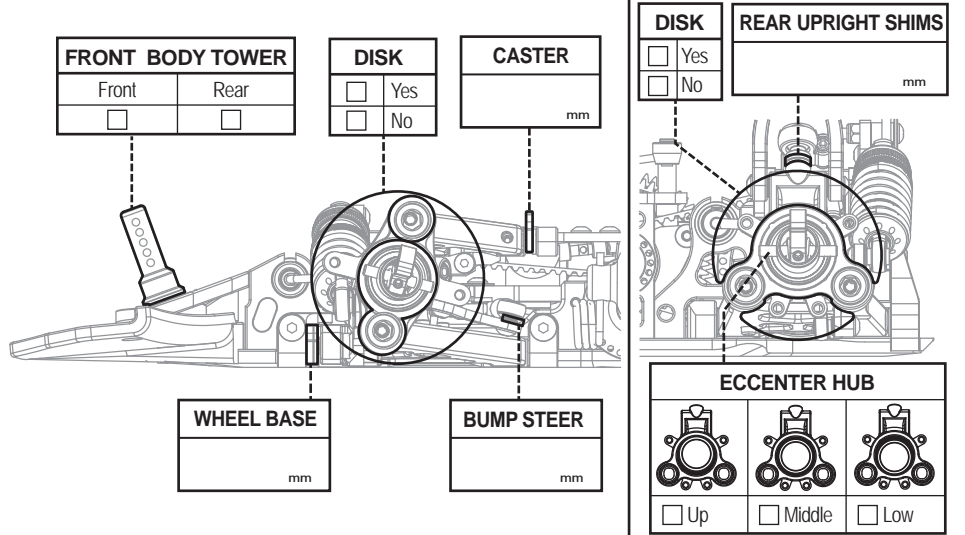
Clutch Bell:

Clutch Shoes:

Spring Load: mm

Bell Clearance: mm

NOTE



LONG R802042

SHORT R802041

+0mm R801021

+2mm R801022

REAR ROLL CENTER

<input type="checkbox"/>	<input type="checkbox"/>	<input type="checkbox"/>
--------------------------	--------------------------	--------------------------

REAR UPPER LINK

<input type="checkbox"/>	<input type="checkbox"/>	<input type="checkbox"/>
--------------------------	--------------------------	--------------------------

