

NOTE :

=Apply Thread lock adhesive

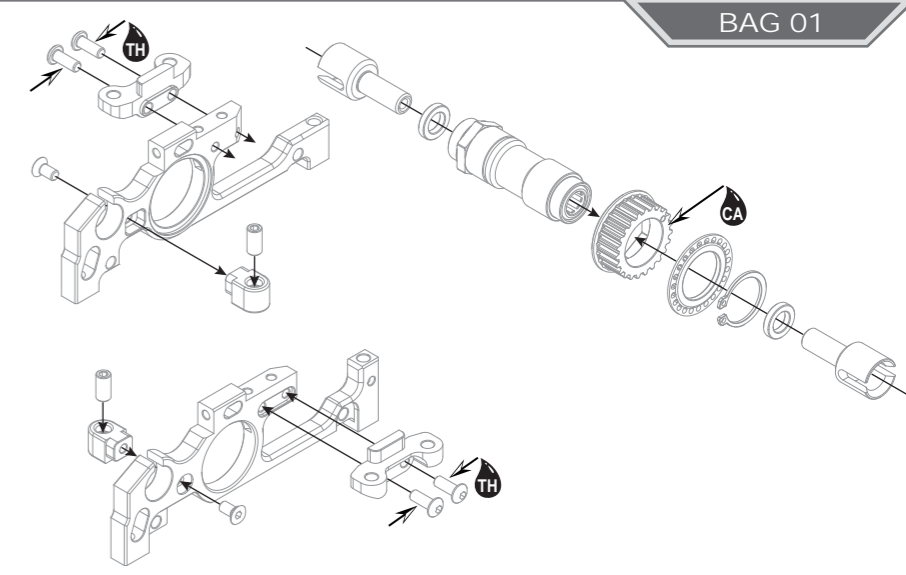
=Apply CA Glue

=Apply Grease

BAG 01

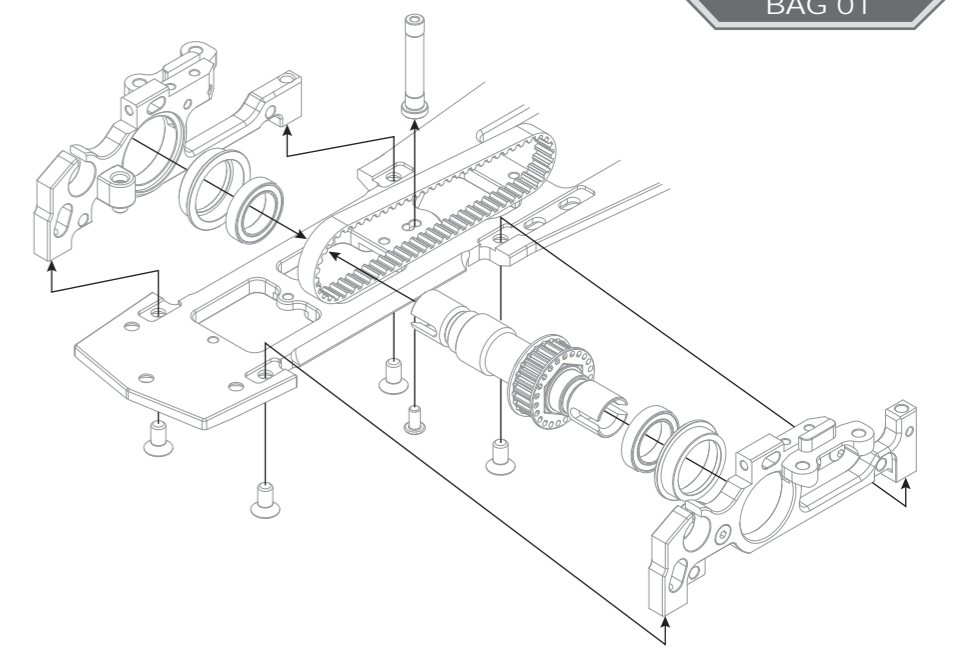
- R803059 Front One Way Cup
- R802019 Front One Way
- R801111 Pulley Set-Front
- R802020 Front Upper Arm Bracket Base
- R801104 One Way Plastic Shims (2)
- R802004 Front Alu-Bulkhead-L
- R802005 Front Alu-Bulkhead-R
- R801020 Downstop Nut Holder (2)

- R105105 3x8 Round Screw
- R105203 3x6mm Flat Screw
- R805052 4x8mm Set
- R805041 14mm Ring Clip (6)



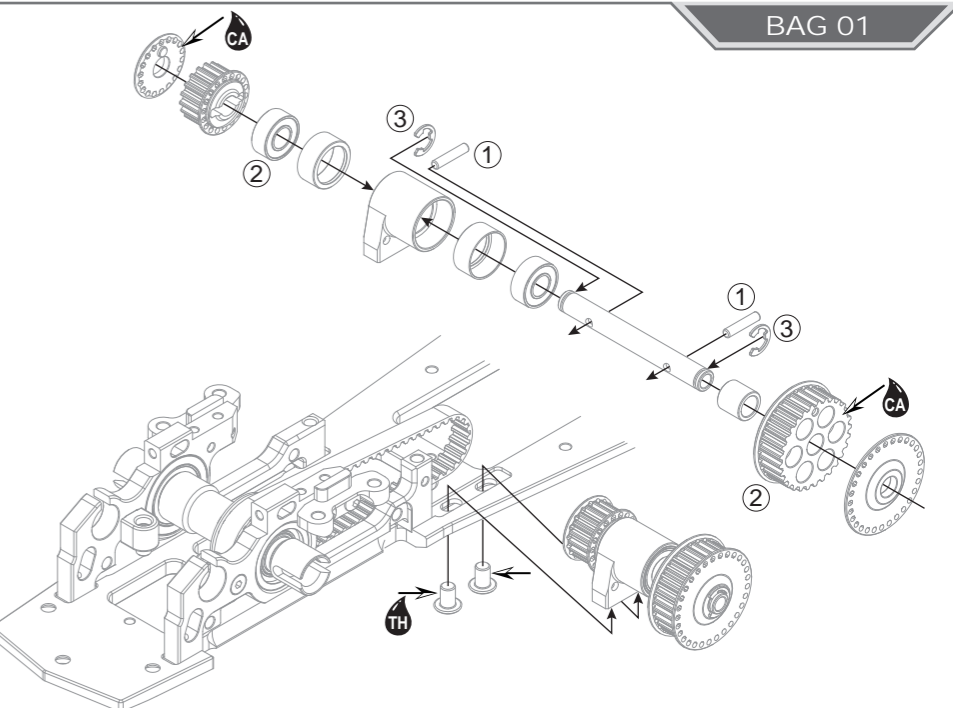
BAG 01

- R801042 Bearing Bushing -Front One Way (2)
- R803040 Servo Saver Base Post
- R804030 Front Belt 201
- R802003 Chassis
- R806020 12x18x4mm Ball Bearing
- R105104 3x6 Round Screw
- R805201 4x8mm Flat Screw



BAG 01

- R801111 Pulley Set-Front
- R801041 Bearing Bushing -Middle Shaft (2)
- R802007 Middle Shaft Block
- R803011 Middle Shaft
- R801112 Pulley Set-Middle
- R805105 4x6 Round Screw
- R105206 E-Clip 5mm
- R806101 Ø3x10.8 Pin
- R806006 6x13x5mm Ball Bearing



R802110
Servo Saver Tower

R802008
Servo Saver Alu

R807010
Servo Saver Spring

R801108
Ackermen Adjustment Shims (2) 0/+1.5

R808010
Ackermen Plate 8.5mm Carbon

R105104
3x6 Round Screw

R106010
5x8x4mm Ball Bearing

BAG 01

When track "High Traction" or want to reduce steering

Default Setup

When track "Low Traction" or want to increase steering

R801090
Ball End 5.8mm Short (2)

R803015
Anti Roll Bar Ball Screw (2)

R803014
Anti Roll Bar Ball Head (2)

R802041
Front Shock Mount S (2)

R801015
Front Low Arm Set

R105104
3x6 Round Screw

R105105
3x8 Round Screw

R105101
2x5mm Cap Screw

BAG 02

R805104
4x12 Round Screw

R805102
4x8 Round Screw

R801021 (Optional)
Front Low Arm Holder (4)

R801022
Front Low Arm Holder +2mm (4)

R802006
Front Upper Arm Bracket

R803031
Front Low Arm Pin 3x77.8

R801094
Spacer 1mm/2mm/3mm

BAG 02

R801021 (Optional)
Front Low Arm Long

Default Setup

R802042 (Optional)
Front Shock Mount L

Can increase steering best for low traction track.

R801022 Front Low Arm Short

R801072
Front Upper Arm (2)

R803033
Front Upper Arm Pin 3x49

R801023
Suspension Bracket Insert-Open (8)

R801094
Spacer 3mm+2mm+1mm

R105401
3x3mm Set

BAG 02

Default

Front Upper Arm Short

Front Upper Arm Medium

Front Upper Arm Long

R801055
Steering Block

R803018
7.9mm Ball End Long (2)

R802045
Front Steering Plate (2)

R803062
Front CVD Shaft (2)

R803063
Front Wheel Axle (2)

R802032
Front Tire Hook (2)

R807004
Tire Hook Spring (4)

R803064
CVD Insert (2)

R804003
7.9mm Ball End Nut (4)

R105104
3x6 Round Screw

R105401
3x3mm Set

R806100
Ø2.5x11.8 Pin

R806101
Ø3x19.8 Pin

R806020
12x18x4mm Ball Bearing

R803051
12.1x15x0.5mm

BAG 02



R803016
Ball Head 4.9mm (4)

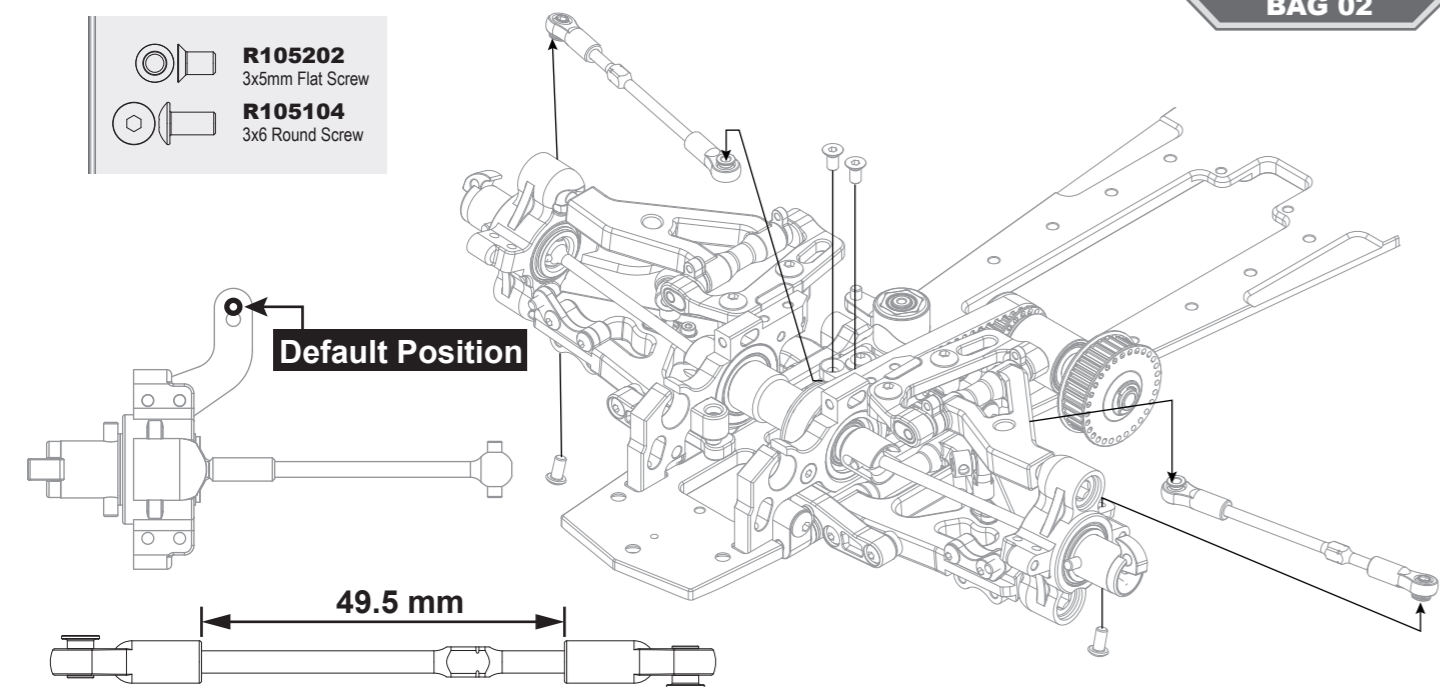
R101070
Ball Joint 4.9mm Open (4)

R803035
3mmX62mm Rod (2)

BAG 02


BAG 02

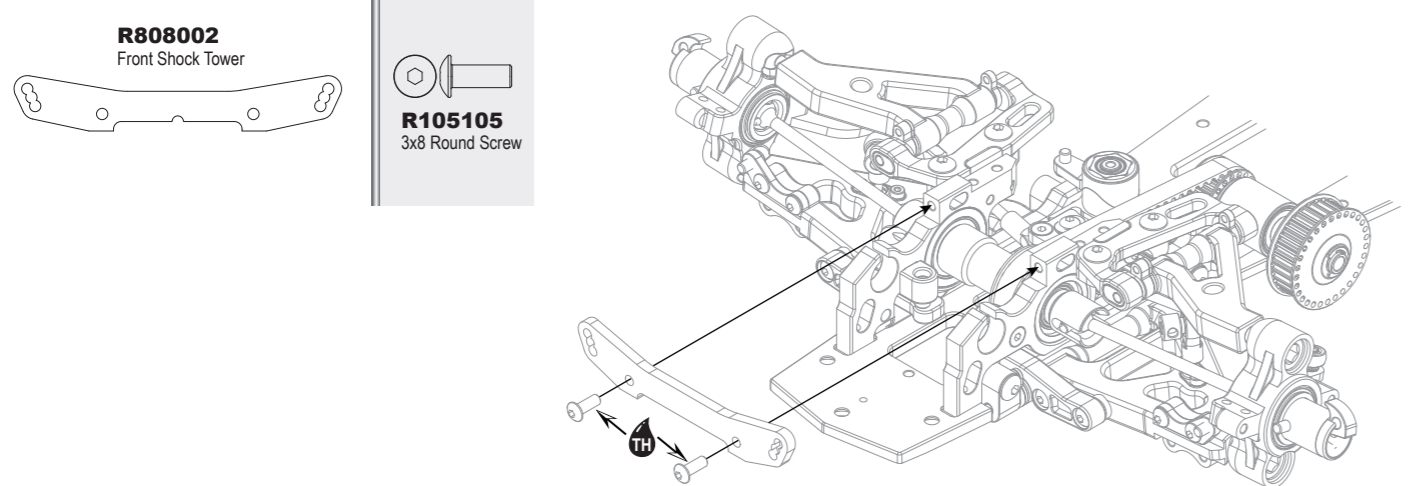
-  **R105202**
3x5mm Flat Screw
-  **R105104**
3x6 Round Screw



BAG 02

- R808002**
Front Shock Tower

-  **R105105**
3x8 Round Screw




BAG 02

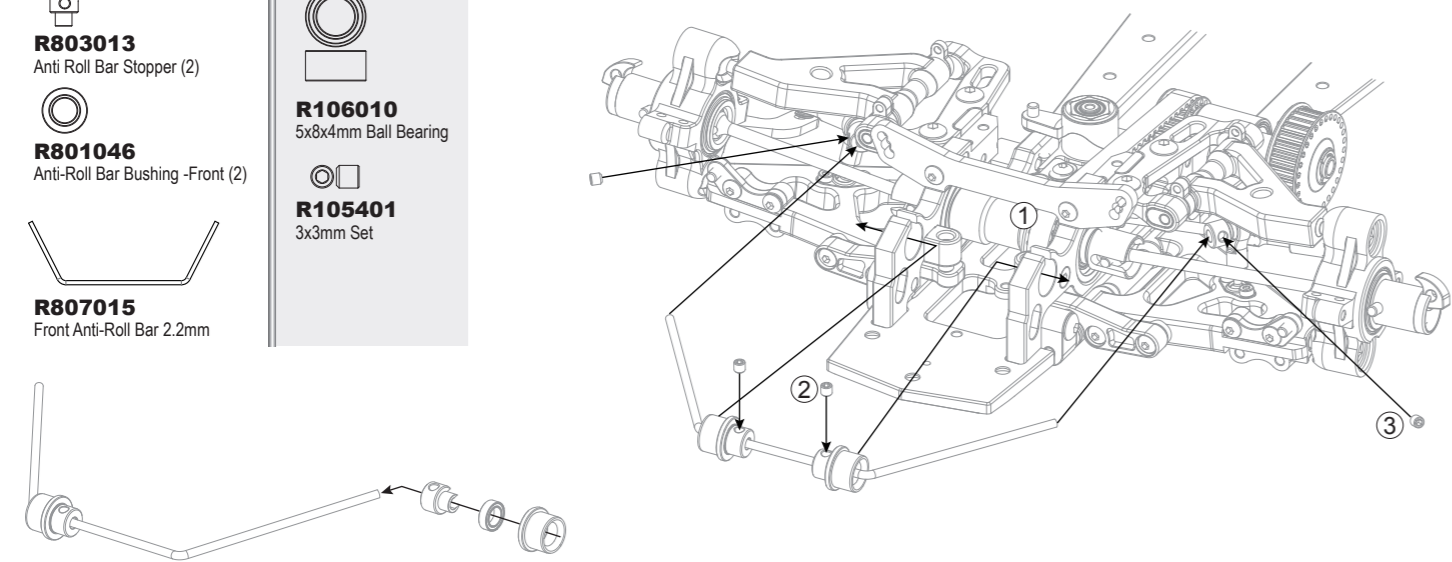
-  **R803013**
Anti Roll Bar Stopper (2)

-  **R801046**
Anti-Roll Bar Bushing -Front (2)

-  **R807015**
Front Anti-Roll Bar 2.2mm

-  **R106010**
5x8x4mm Ball Bearing

-  **R105401**
3x3mm Set




BAG 03

-  **R801113**
Pulley Set-Rear

-  **R803010**
Rear Solid Axle

-  **R805040**
12mm C Clip (6)


-  **R802060**
Rear Low Arm Brackets RF

-  **R802021**
Rear Bulkhead Low


-  **R801024**
Suspension Bracket Insert-Closed (8)

-  **R804031**
Rear Belt 201-8

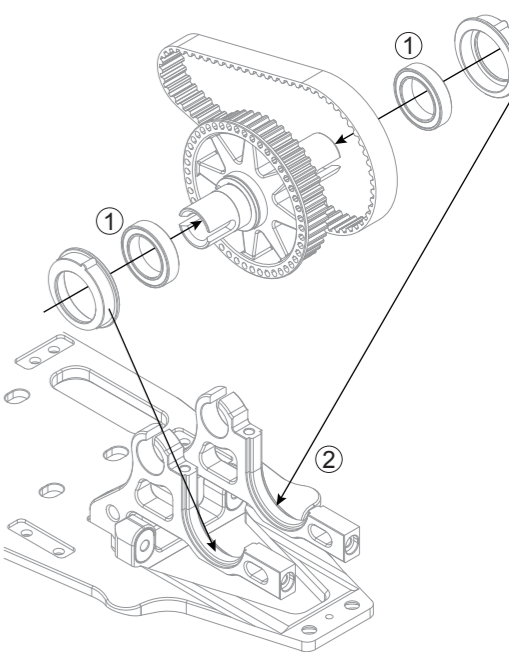
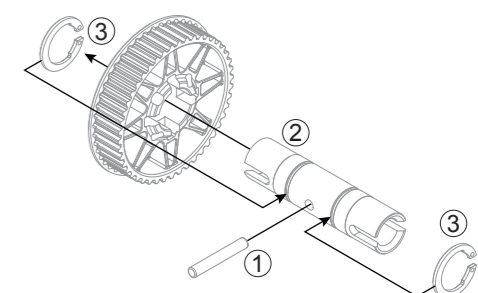
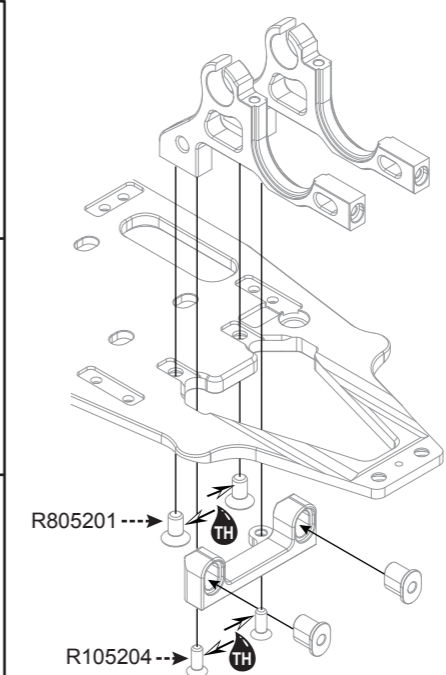
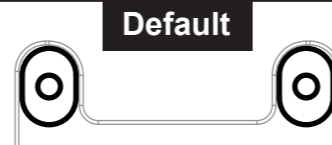
-  **R801040**
Excenter Bushing Solid Axle (2)

-  **R805201**
4x8mm Flat Screw

-  **R105204**
3x8mm Flat Screw

-  **R806101**
Ø3x19.8 Pin

-  **R806020**
12x18x4mm Ball Bearing




BAG 03

-  **R808006**
Rear Upper Link Plate

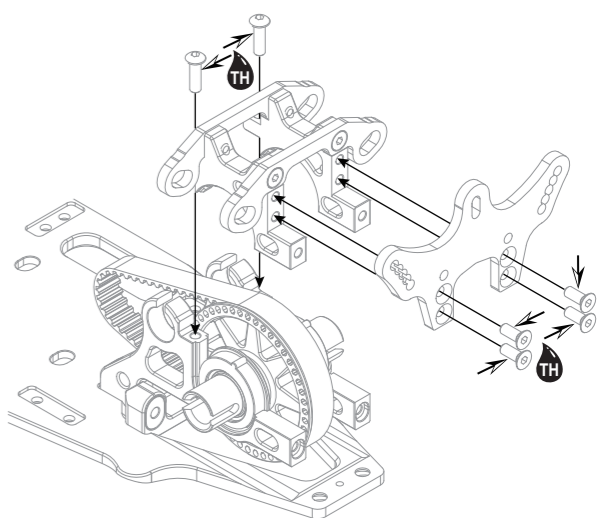
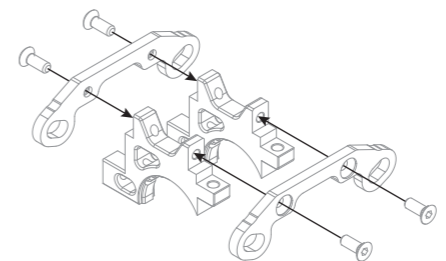
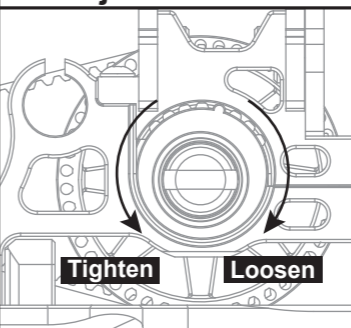
-  **R808003**
Rear Shock Tower

-  **R802022**
Rear Bulkhead Upper

-  **R105204**
3x8mm Flat Screw

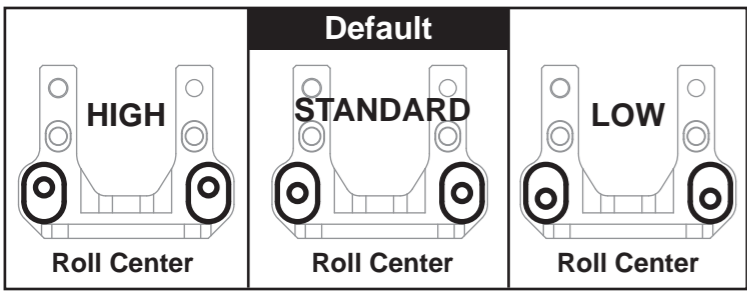
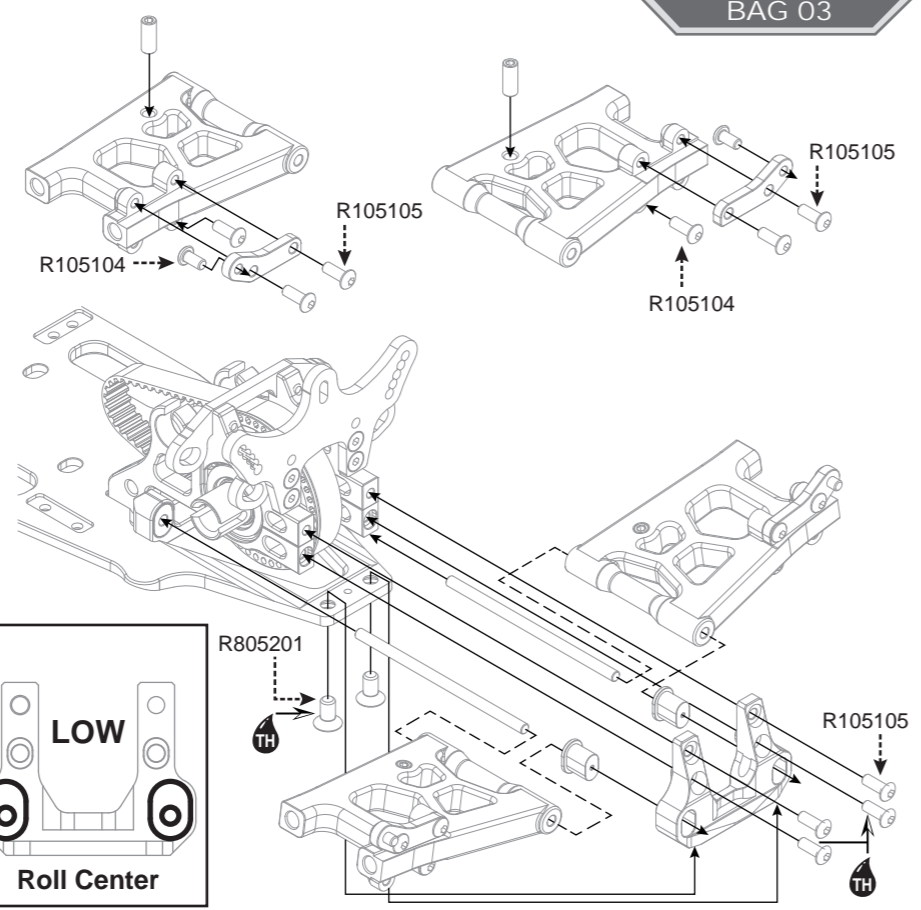
-  **R105106**
3x10 Round Screw

To Adjust belt tension

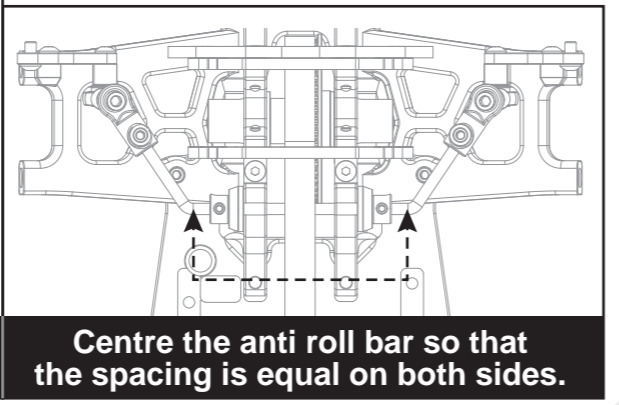
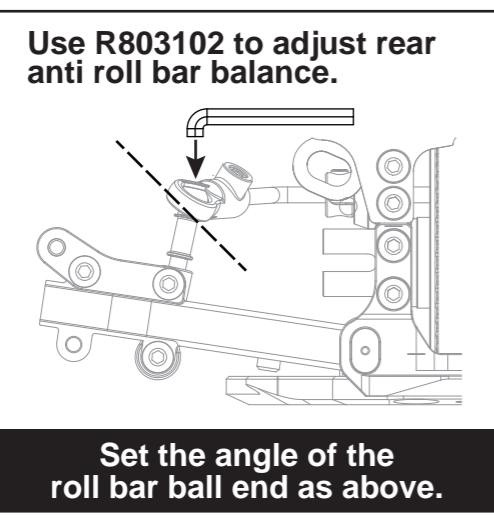
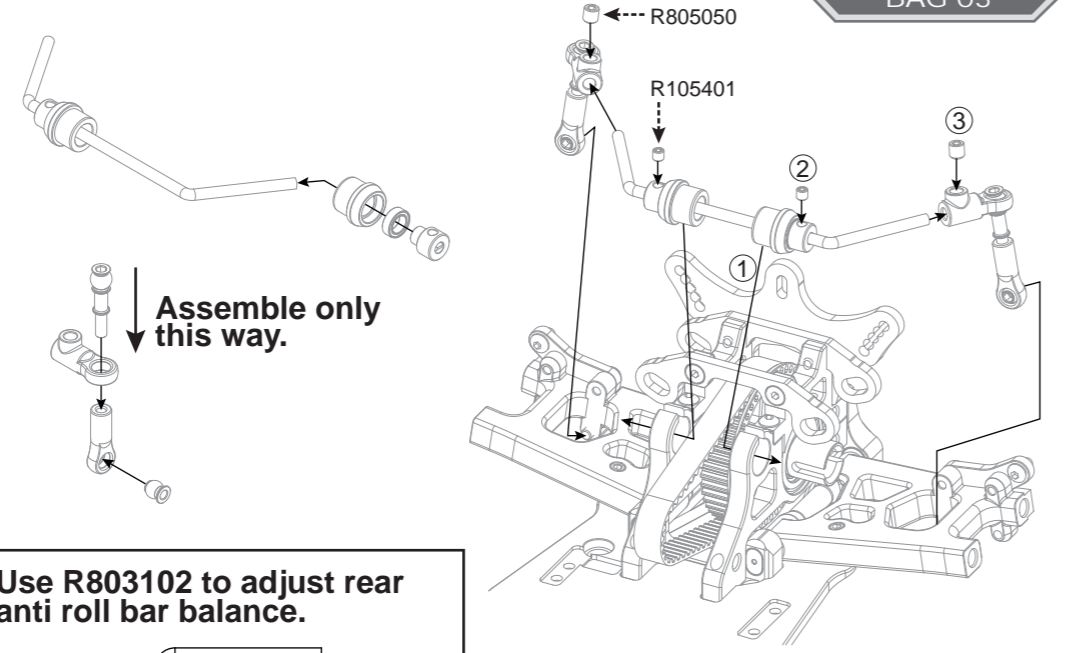


- R801010 Rear Low Arm
- R802061 Rear Low Arm Brackets RR
- R801024 Suspension Bracket Insert-Closed (8)
- R802044 Rear Shock Mount S (2)
- R803032 Rear Low Arm Pin (2)

- R105104 3x6 Round Screw
- R105105 3x8 Round Screw
- R805201 4x8mm Flat Screw
- R805053 4x10mm Set

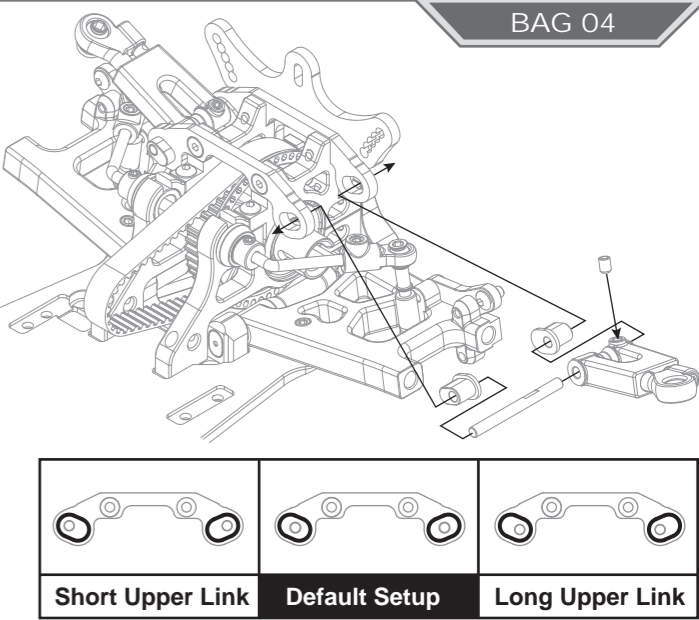
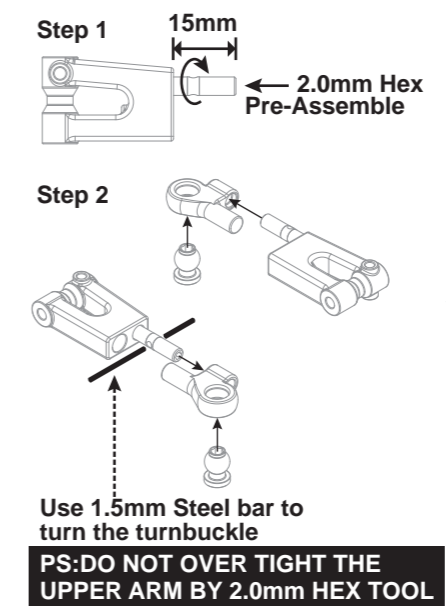


- R807021 Rear Anti-Roll Bar 2.6mm
- R801047 Anti-Roll Bar Bushing -Rear (2)
- R803013 Anti-Roll Bar Stopper (2)
- R803019 Anti-Roll Bar Adj Screw (2)
- R801092 Rear Anti-Roll Bar Ball End (2)
- R803016 Ball Head 4.9mm (4)
- R101070 Ball Joint 4.9mm Open (4)
- R803102 Anti-Roll Bar Tool

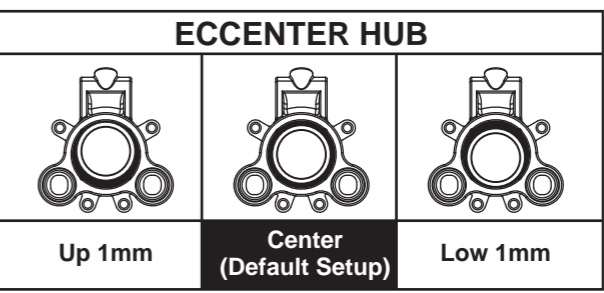


- R106010 5x8x4mm Ball Bearing
- R105401 3x3mm Set
- R805050 4x4mm Set

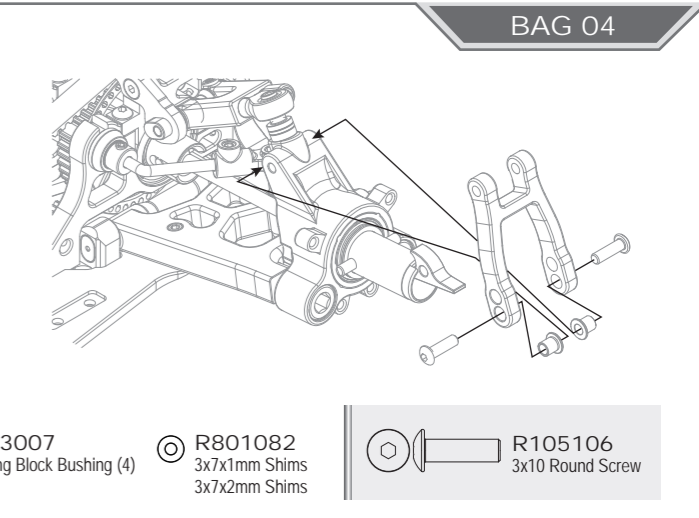
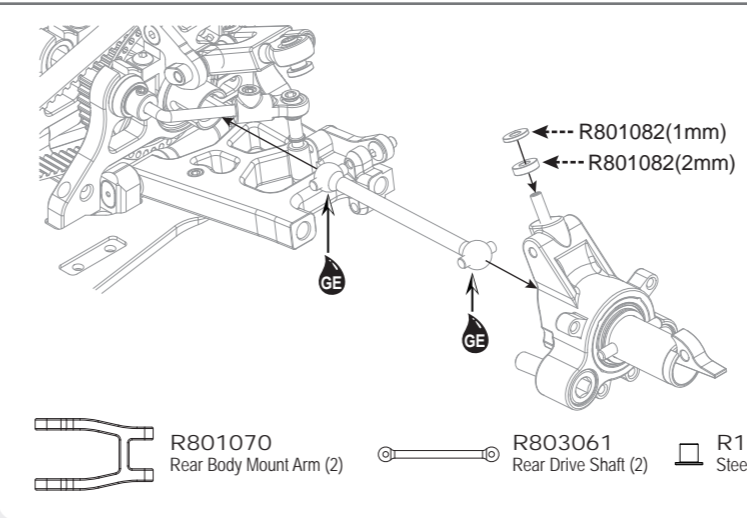
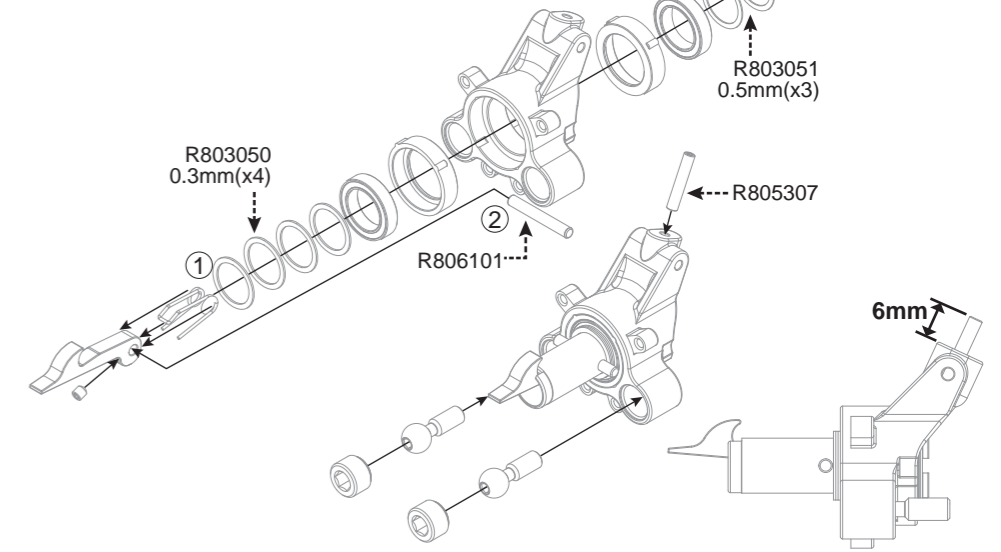
- R801093 Rear Upper Arm Set
- R803024 Ball Head 6.8mm (2)
- R803037 3mmx17mm Turnbuckle (2)
- R801023 Suspension Bracket Insert-Open (8)
- R803038 Rear Upper Arm Pin 3x32.5 (2)
- R105401 3x3mm Set



- R802033 Rear Tire Hook (2)
- R807004 Tire Hook Spring (4)
- R804003 7.9mm Ball end Nut (4)
- R803017 7.9mm Ball End Short (2)
- R801050 Rear Upright
- R803060 Rear Wheel Axle (2)
- R801043 Excenter rear upright bushing +1mm (x4) +0mm (x4)



- R803050 12.1x15x0.3mm
- R803051 12.1x15x0.5mm
- R105401 3x3mm Set
- R806020 12x18x4mm Ball Bearing
- R806101 Ø3x19.8 Pin
- R805307 3x16 Set Screw

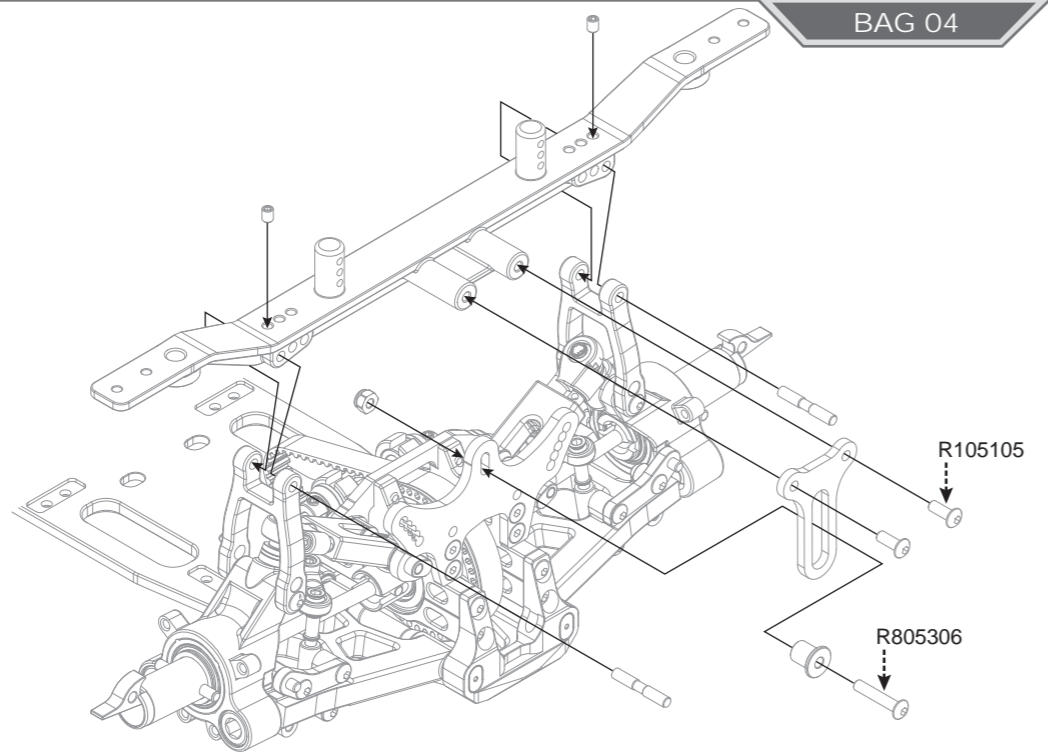


- R801070 Rear Body Mount Arm (2)
- R803061 Rear Drive Shaft (2)
- R103007 Steering Block Bushing (4)
- R801082 3x7x1mm Shims 3x7x2mm Shims
- R105106 3x10 Round Screw

BAG 04

- R801071
Rear Body Mount (1)
- R808007
Rear Body Mount Plate
- R803042
Rear Body Mount Nut
- R803039
Rear Body Mount Pin 3x19.5 (2)

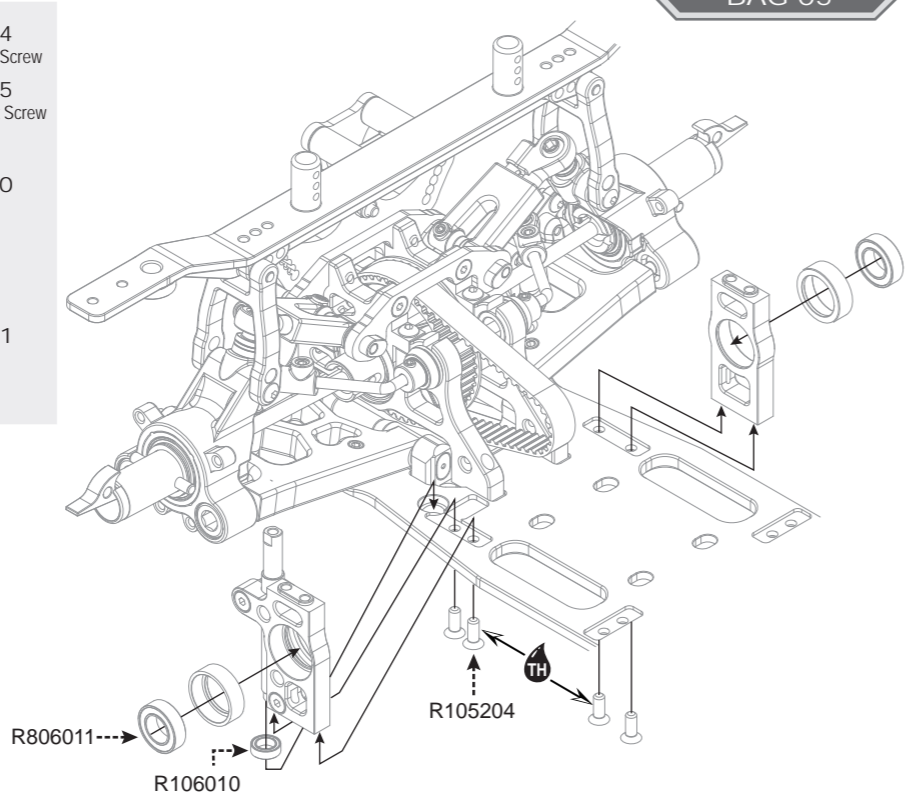
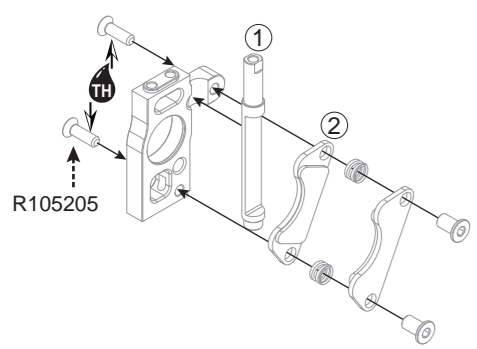
- R805306
3x16 Round Screw
- R105105
3x8 Round Screw
- R105150
3mm Nylon Nut
- R105401
3x4mm Set



BAG 05

- R802015
2-Speed Shaft Bracket R
- R802014
2-Speed Shaft Bracket L
- R803012
Brake Cam
- R803005
Brake Pad (2)
- R801045
Bearing Bushing -Main shaft(2)
- R807011
Brake Spring (2)
- R803007
Brake Pad Nut (2)

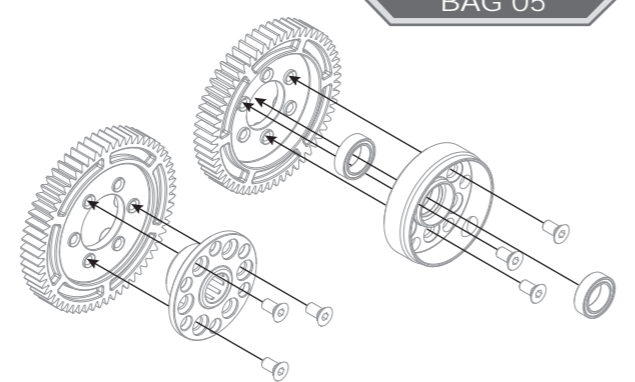
- R105204
3x8mm Flat Screw
- R105205
3x10mm Flat Screw
- R106010
5x8x4mm Ball Bearing
- R806011
8x14x4mm Ball Bearing



BAG 05

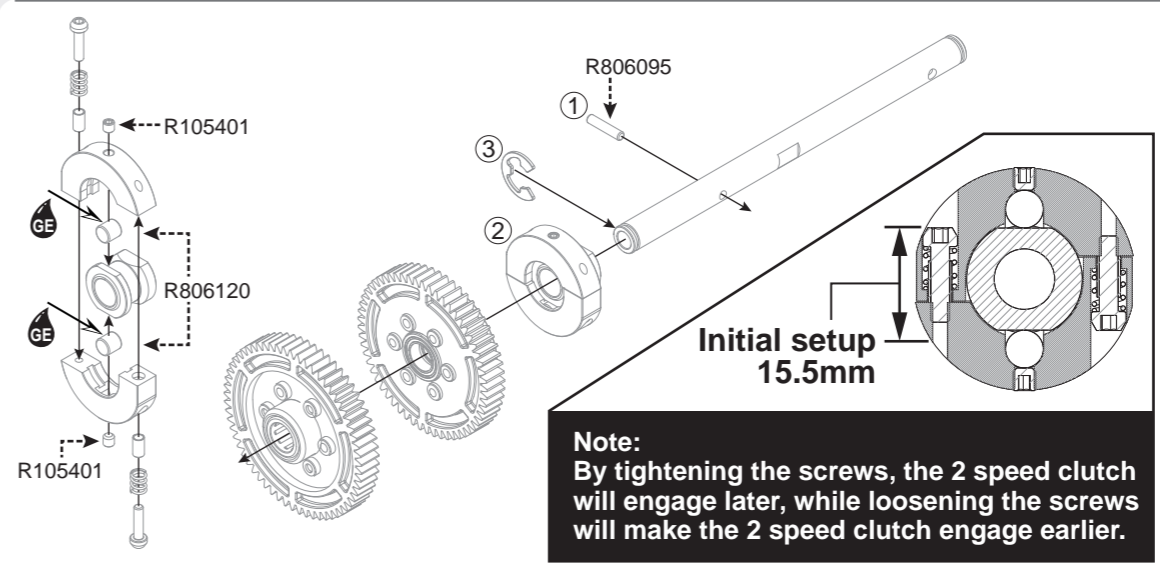
- R802052
2-Speed Bell Housing
- R802053
1-Speed Spur Adaptor
- R105202
3x5mm Flat Screw
- R806010
8x12x3.5mm Ball Bearing

Spear parts		Option parts	
R804051 1st Spur 61T	R804054 2nd Spur 57T	R804052 1st Spur 62T	R804055 2nd Spur 58T
R804050 1st Spur 60T	R804053 2nd Spur 56T		



BAG 05

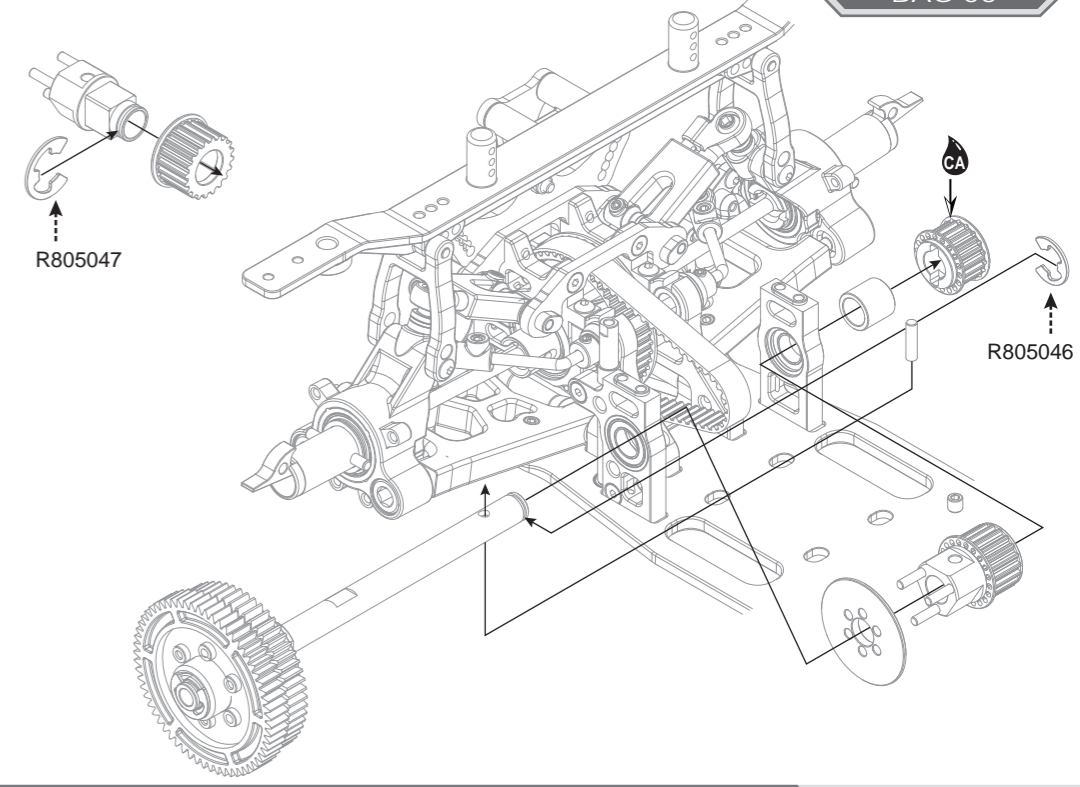
- R803021
2 Speed Adaptor
- R803022
2 Speed Shaft
- R807013
2 Speed Spring Set
- R804040
2 Speed Shoes (2)
- R806095
Ø2.5x12.8 Pin
- R105046
E-Clip 7mm
- R105401
3x3mm Set
- R806120
Ø5x4.9 Pin



BAG 05

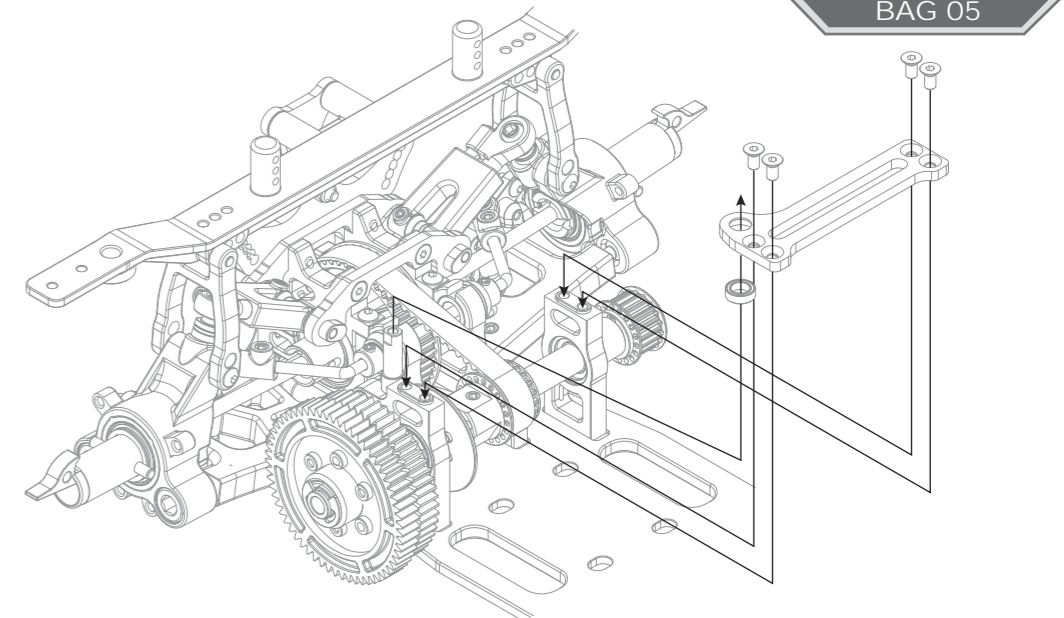
- R802054
Brake Adaptor
- R801113
Pulley Set-Rear
- R801112
Pulley Set-Meddle
- R803008
Brake Disk

- R805050
4x4mm Set
- R806110
Ø3x10.8 Pin
- R105046
E-Clip 7mm
- R105047
E-Clip 9mm


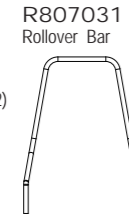
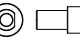

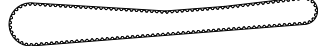






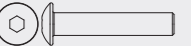
BAG 05

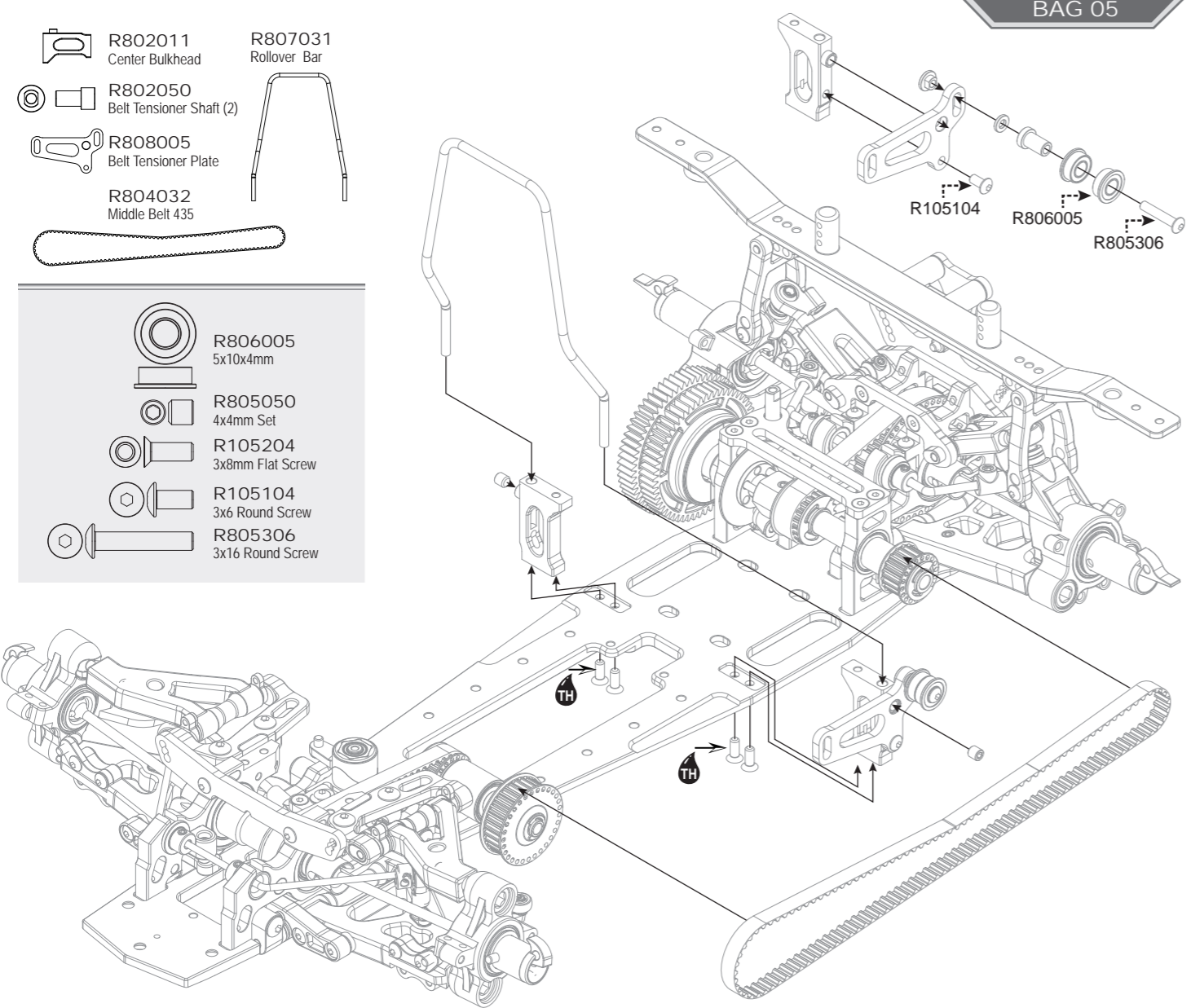
- R808004
2-Speed Shaft Deck
- R106010
5x8x4mm Ball Bearing
- R105203
3x6mm Flat Screw



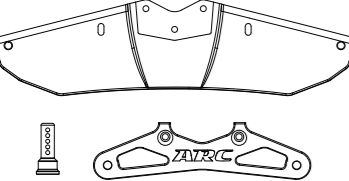
BAG 05




-  R802011 Center Bulkhead
-  R807031 Rollover Bar
-  R802050 Belt Tensioner Shaft (2)
-  R808005 Belt Tensioner Plate
-  R804032 Middle Belt 435

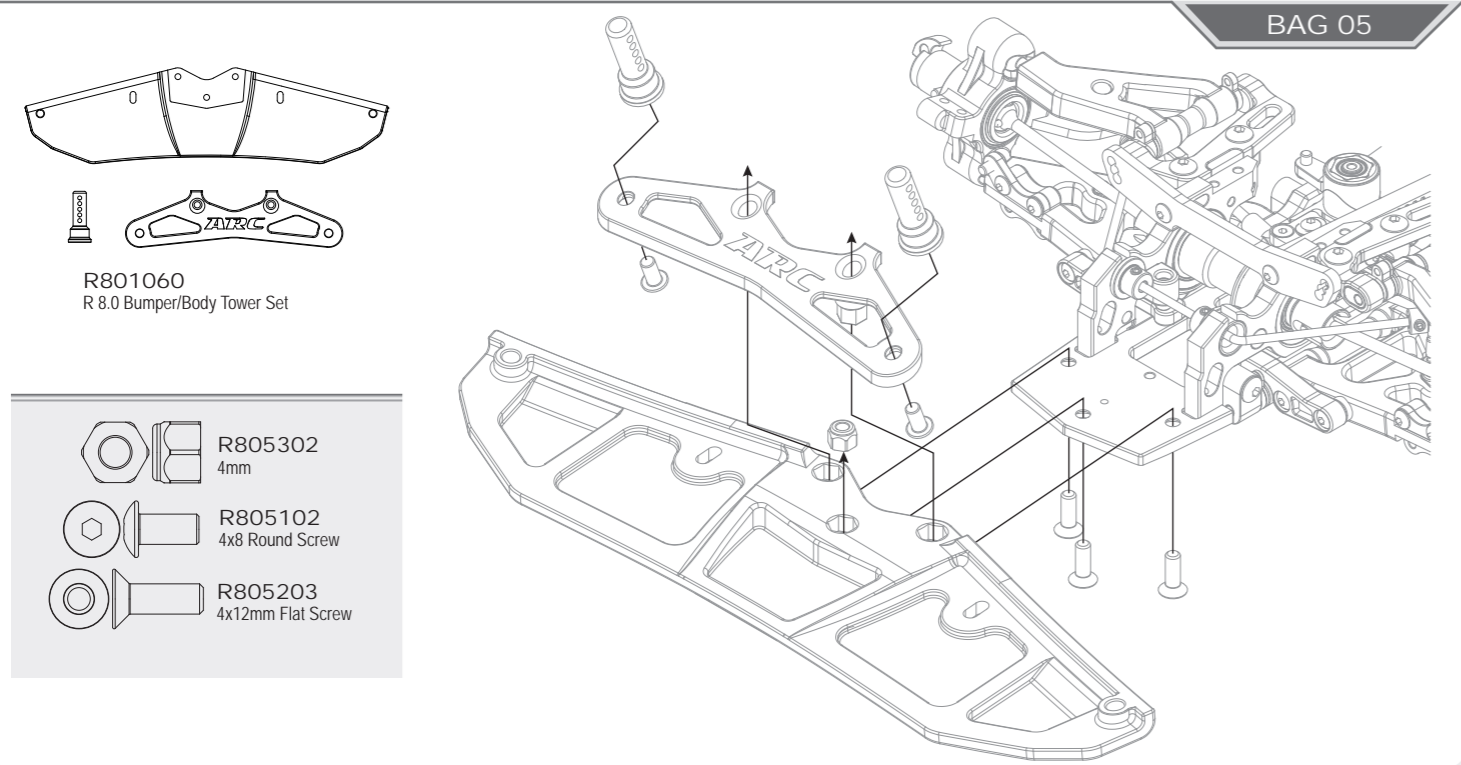
-  R806005 5x10x4mm
-  R805050 4x4mm Set
-  R105204 3x8mm Flat Screw
-  R105104 3x6 Round Screw
-  R805306 3x16 Round Screw





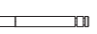








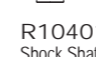
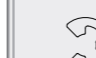
BAG 05

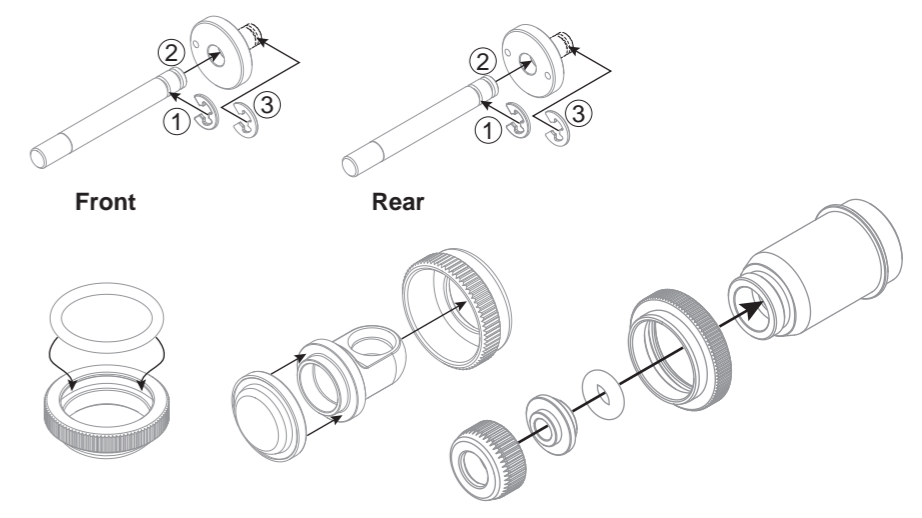
-  R801060 R 8.0 Bumper/Body Tower Set


-  R805302 4mm
-  R805102 4x8 Round Screw
-  R805203 4x12mm Flat Screw



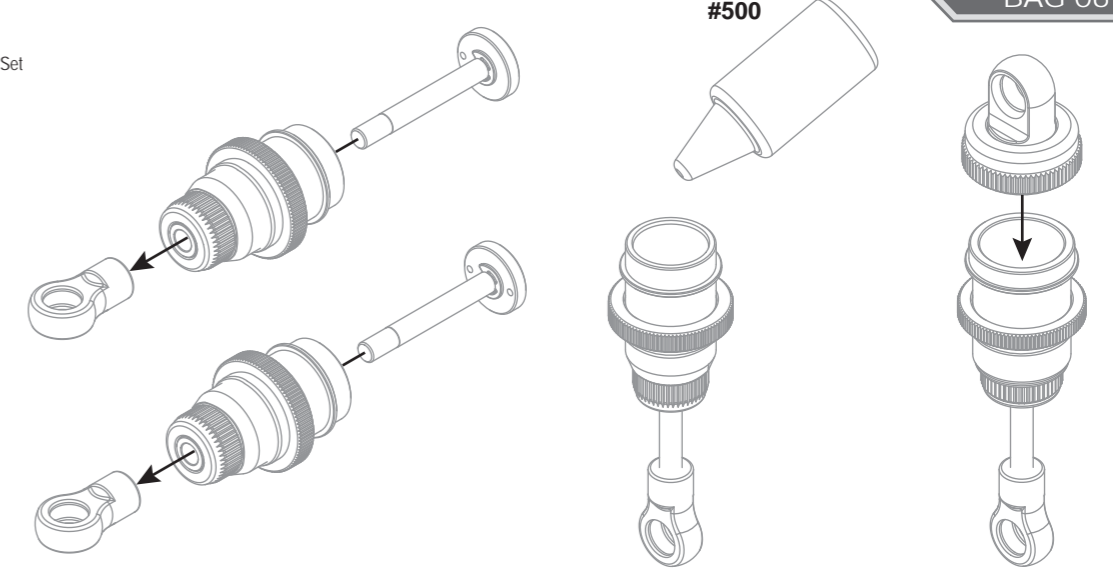
BAG 06

-  R104021 Shock Piston Big Bore Long 1.1mm x2
-  R104022 Shock Piston Big Bore Long 1.1mm x1
-  R103013 Shock Shaft (2)
-  R102008 Shock Cap Alu (2)
-  R104013 O-ring 13x1
-  R101040 Shock Ball Joint Set
-  R102009 Shock Low Cap Alu (2)
-  R102010 Shock ADJ Nut Alu (2)
-  R104002 O-ring 3x2
-  R104007 Shock Membrane
-  R102068 Shock Body Long
-  R104015 Shock Shaft Shim
-  R105501 E-Clip 2mm








-  R101040 Shock Ball Joint Set

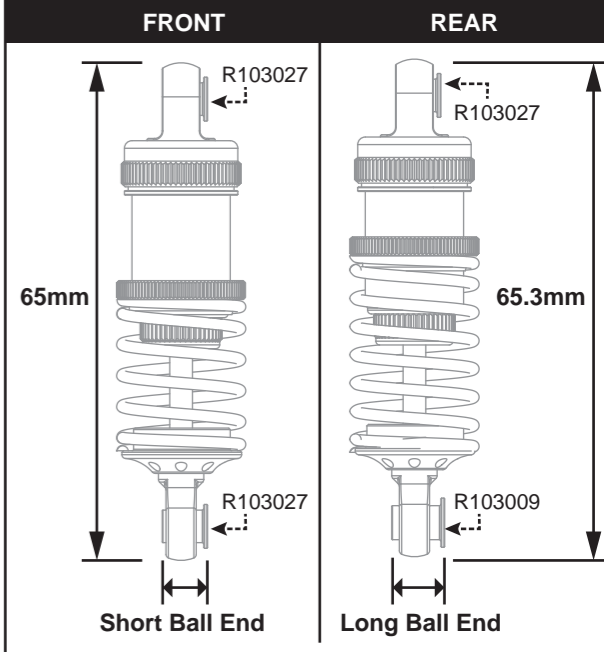
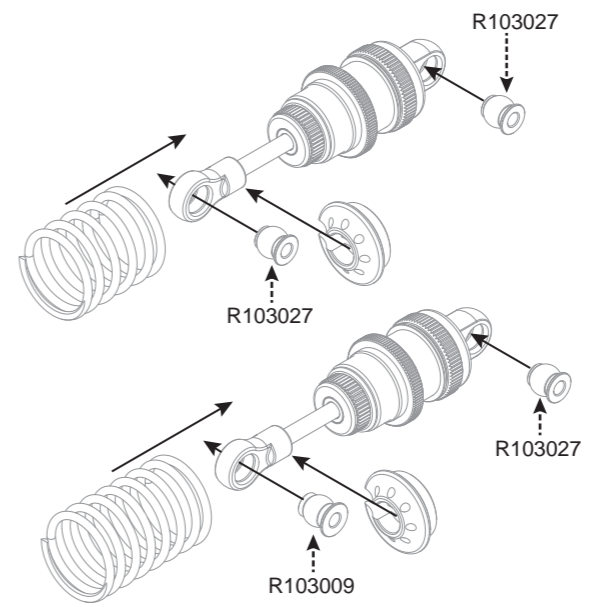
#500



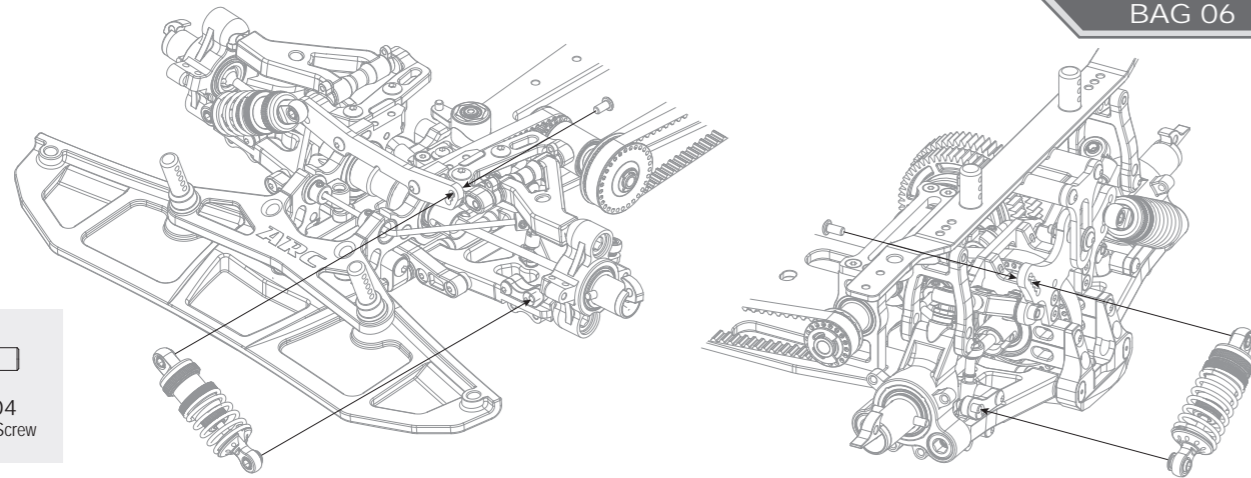
BAG 06

BAG 06

-  R101040 Shock Ball Joint Set
-  R103009 5.8mm Ball End (4)
-  R103027 5.8mm Ball End Short (4)
-  R807051 Shock Spring Front (Yellow)
-  R807061 Shock Spring Rear (Blue)

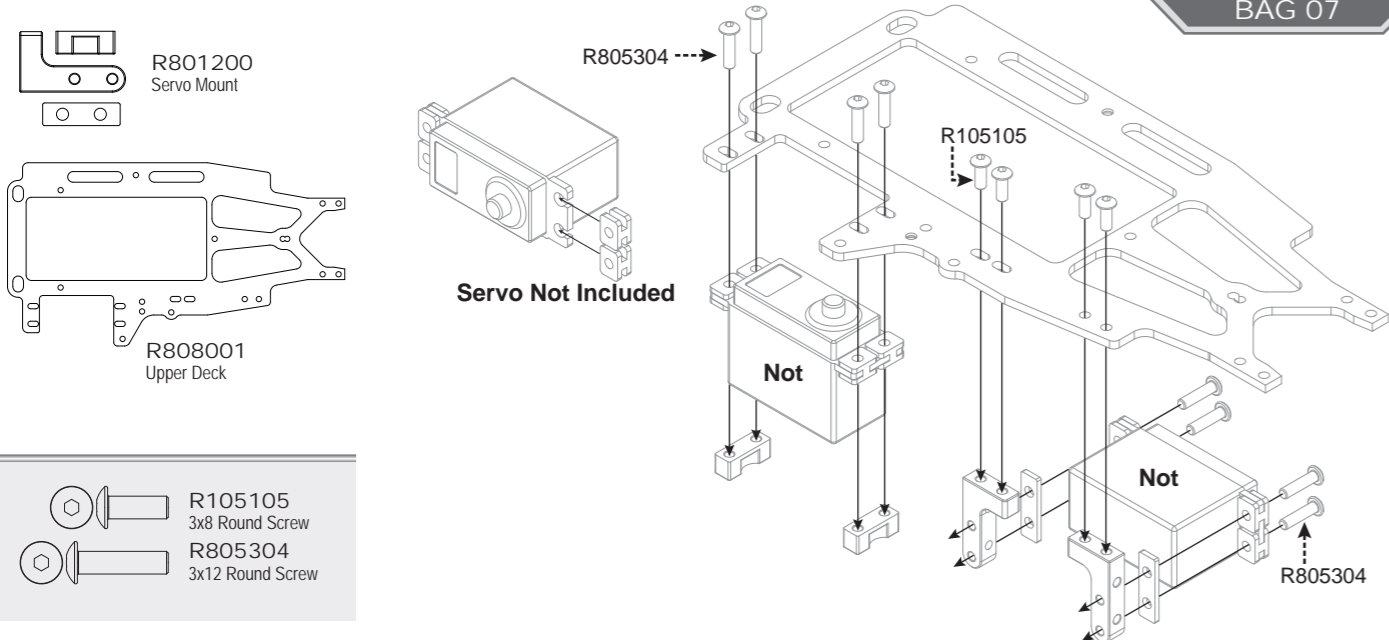


BAG 06



R105104
3x6 Round Screw

BAG 07



R801200
Servo Mount

R805304

R105105

Servo Not Included

Not

Not

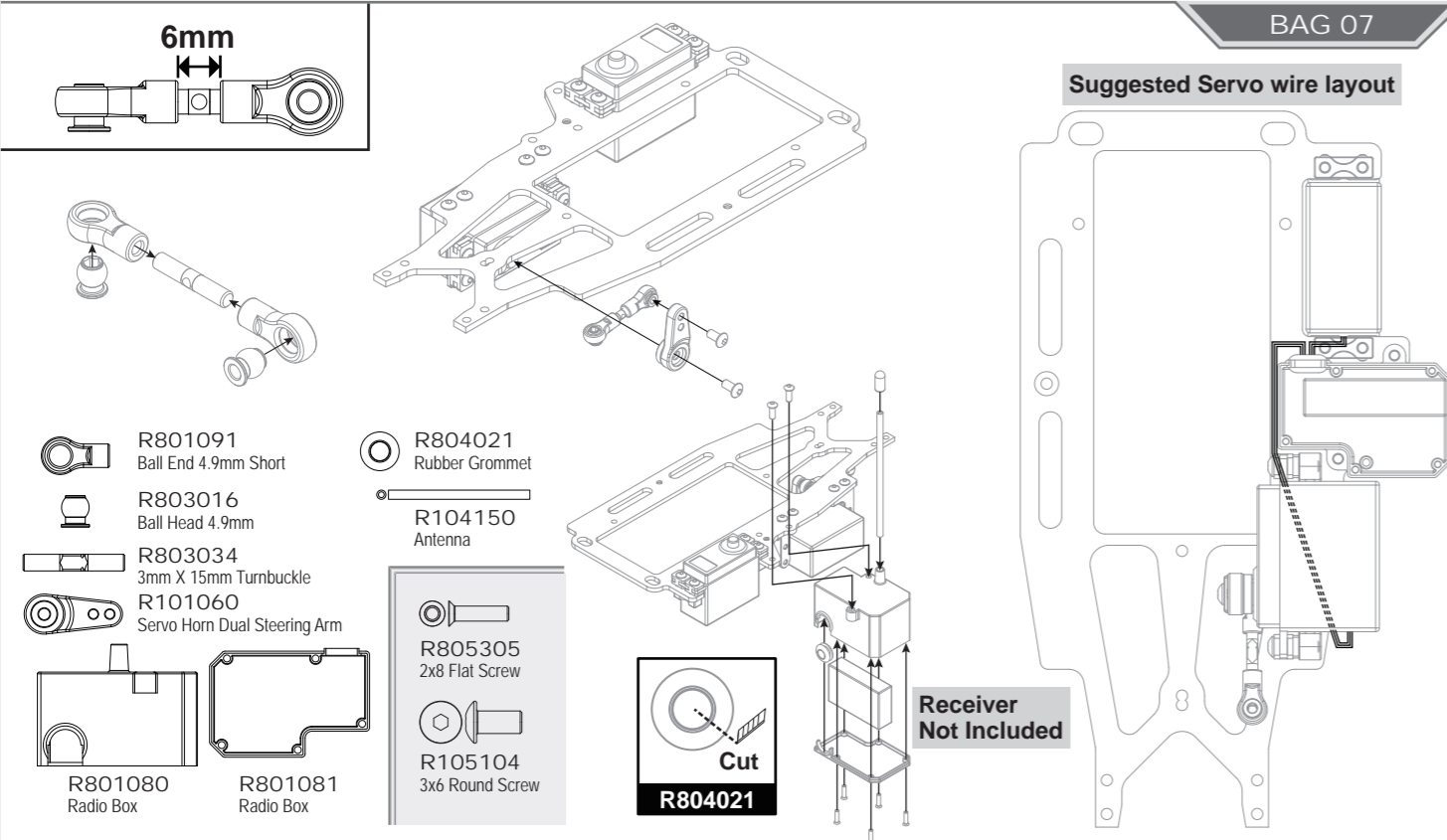
R805304

R105105
3x8 Round Screw
R805304
3x12 Round Screw

6mm

BAG 07

Suggested Servo wire layout



R801091
Ball End 4.9mm Short

R804021
Rubber Grommet

R803016
Ball Head 4.9mm

R104150
Antenna

R803034
3mm X 15mm Turnbuckle

R101060
Servo Horn Dual Steering Arm

R805305
2x8 Flat Screw

R801080
Radio Box

R801081
Radio Box

R105104
3x6 Round Screw

R804021
Cut

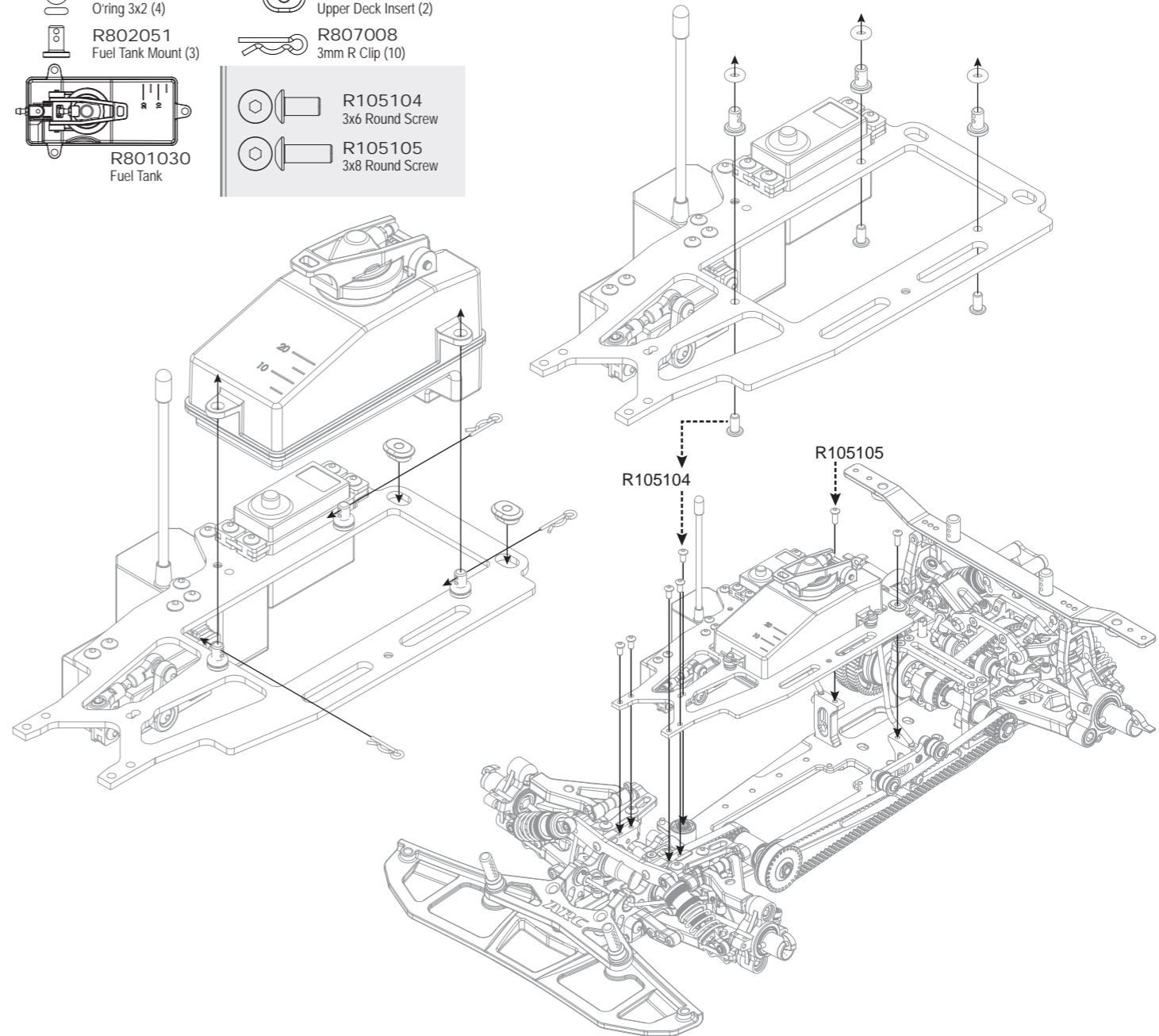
Receiver Not Included

BAG 07

R104002
O-ring 3x2 (4)
R802051
Fuel Tank Mount (3)
R801030
Fuel Tank

R801109
Upper Deck Insert (2)
R807008
3mm R Clip (10)

R105104
3x6 Round Screw
R105105
3x8 Round Screw



R105104

R105105

R808015
Battery Mount Carbon

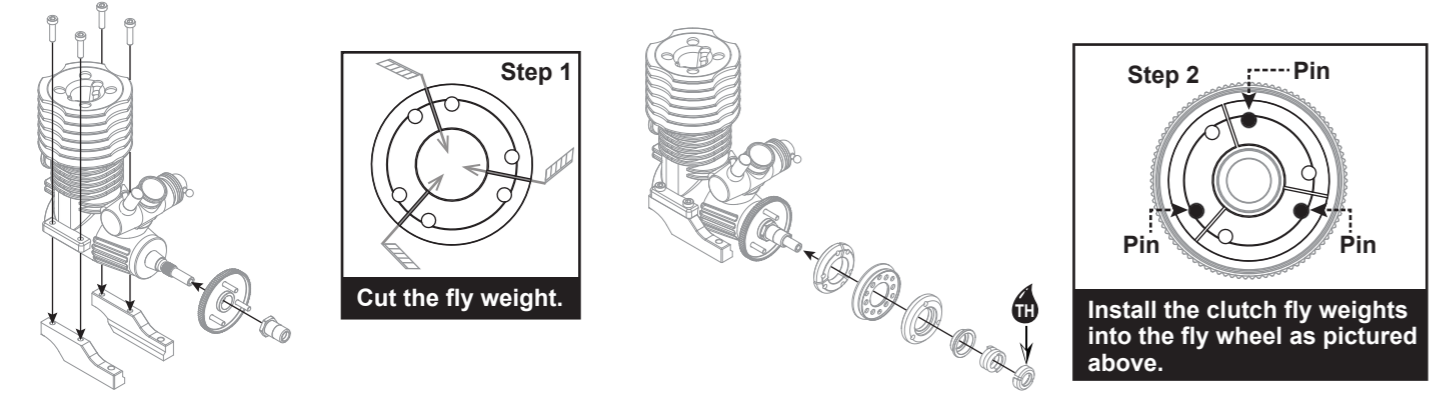
R105202
3x5mm Flat Screw

Top the receiver battery discreetly to the battery mount





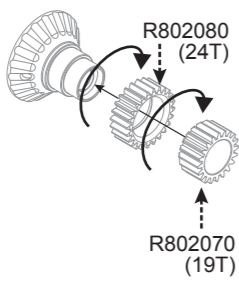
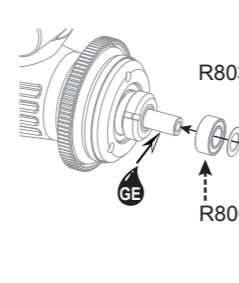
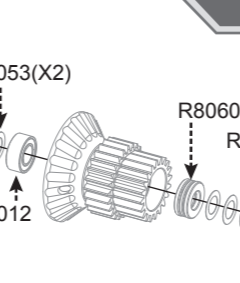
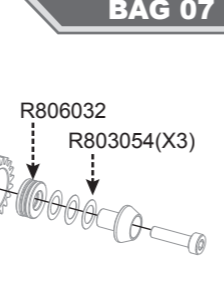
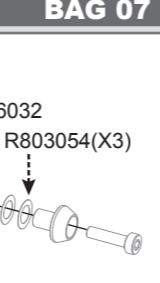
NiMH/Lipo Receiver Battery (Not Included)

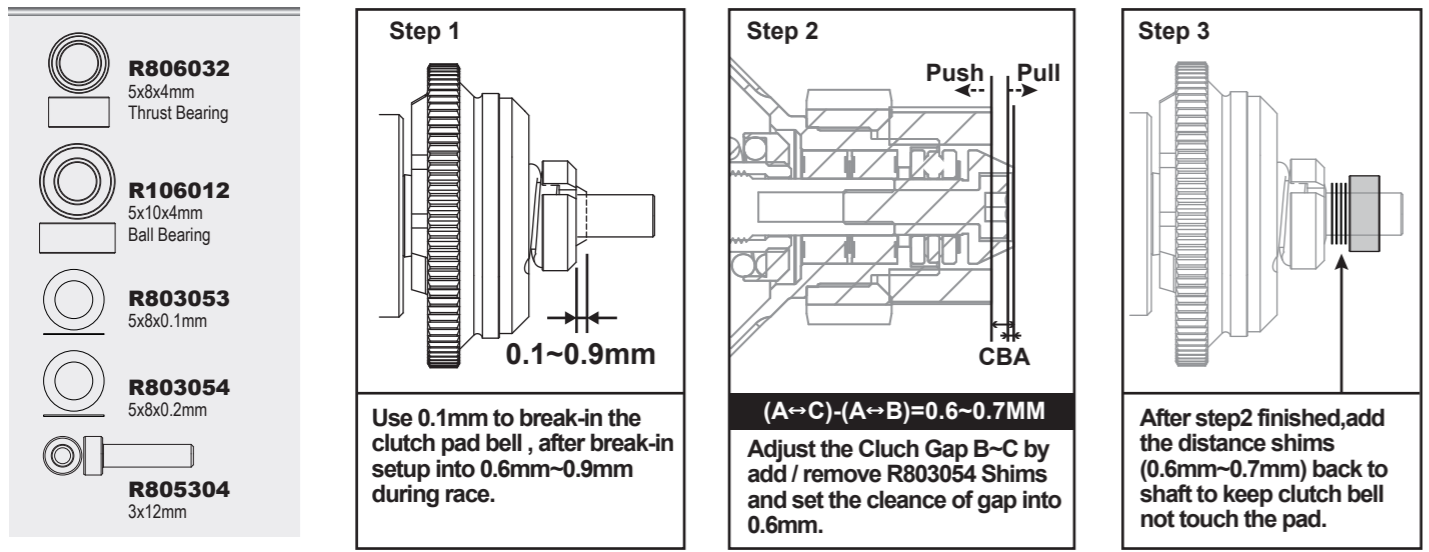
BAG 07

-  **R802012**
Engine Mount
-  **R802001**
Fly Wheel
-  **R804001**
Clutch Pad Yellow
-  **R802100**
Spring Base
-  **R805304**
3x12mm
-  **R803004**
Fly Wheel Nut
-  **R802002**
Clutch Pad Base
-  **R804002**
Clutch Fly Weight
-  **R807001**
Spring 2.0mm
-  **R803006**
Clutch Spring Nut







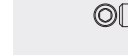


BAG 07

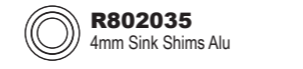
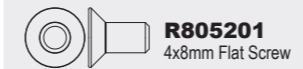
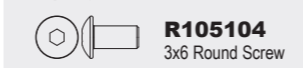
-  **R803002**
Clutch Bearing Nut
-  **R803003**
Clutch Bell
-  **R802070**
1st Gear Pinion 19T
-  **R802080**
2nd Gear Pinion 24T
-  **R802080**
(24T)
-  **R803053**
(X2)
-  **R806012**
-  **R806032**
-  **R803054**
(X3)

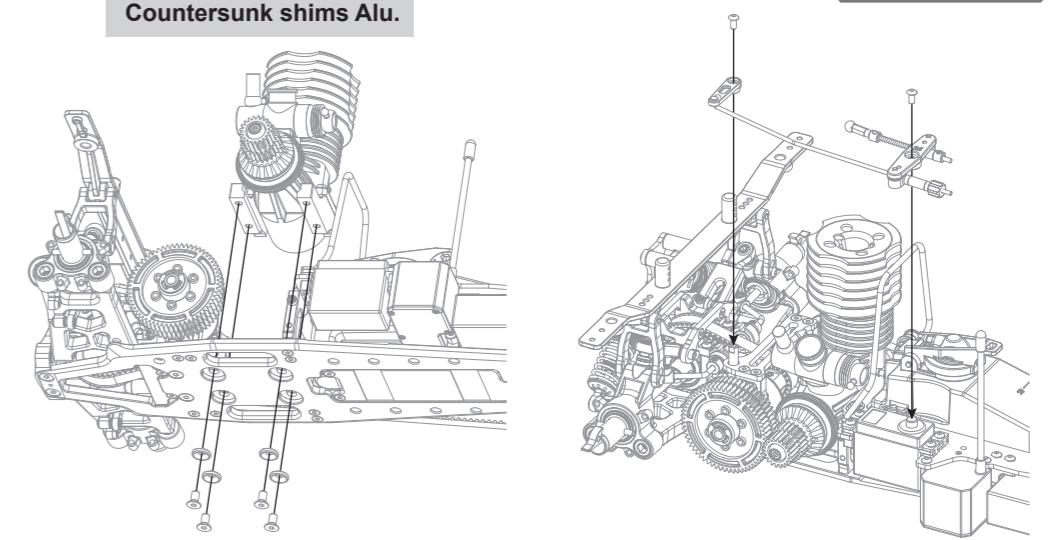


BAG 07


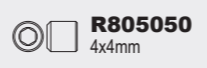
-  **R802057**
Break Lever
 -  **R804035**
Fuel Tube
 -  **R807006**
Throttle Linkage (2)
 -  **R102006**
Collar Alu
 -  **R801100**
Throttle Servo Horn Set
 -  **R805300**
2.5x8mm
 -  **R105401**
3x3mm Set
-

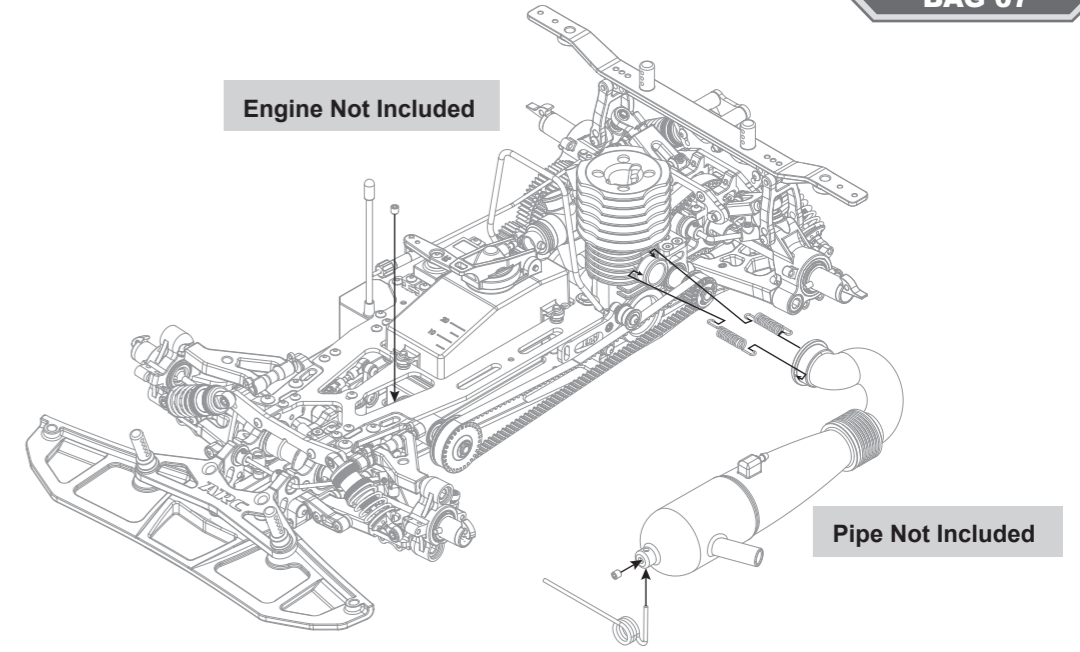
BAG 07

-  **R802035**
4mm Sink Shims Alu
-  **R805201**
4x8mm Flat Screw
-  **R105104**
3x6 Round Screw

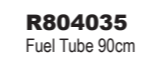


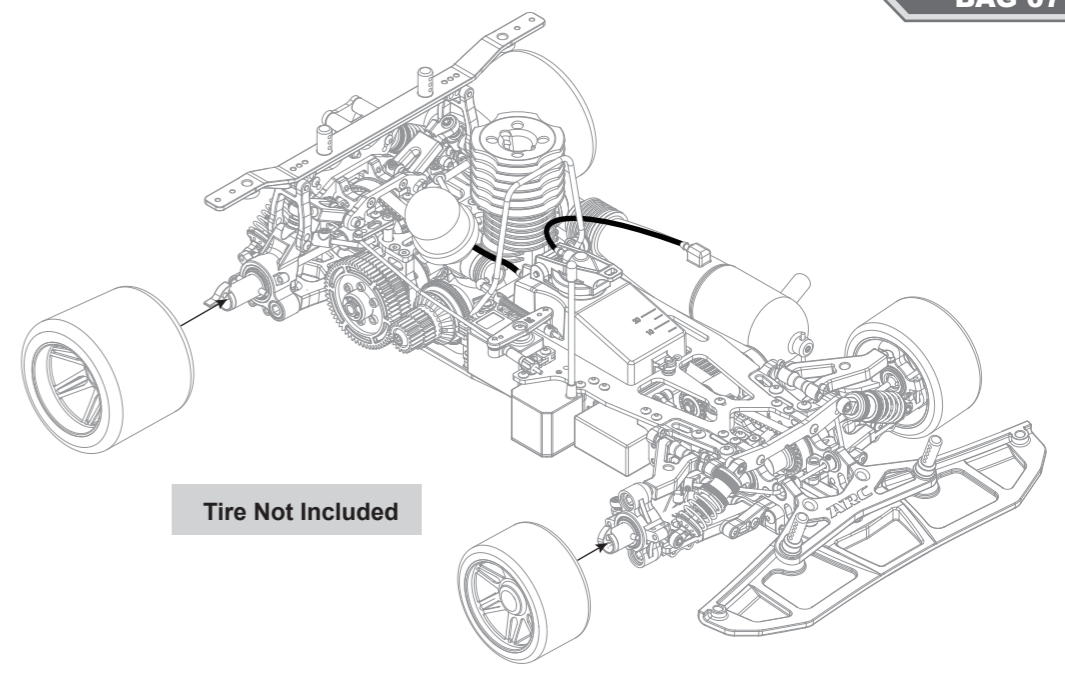
BAG 07

-  **R807033**
Exhaust Pipe Spring
-  **R805050**
4x4mm



BAG 07

-  **R804035**
Fuel Tube 90cm



RACE
 TRACK
 NAME
 CITY / COUNTRY
 DATE

TEMPERATURE	AIR	TRACK
QUALIFYING POSITION	BEST LAP TIME	FINAL POSITION
TRACK CONDITION		RACE LENGTH
<input type="checkbox"/> TECHNICAL <input checked="" type="checkbox"/> MIXED <input type="checkbox"/> FAST		SEC MIN
TRACTION <input type="checkbox"/> LOW <input checked="" type="checkbox"/> MEDIUM <input type="checkbox"/> HIGH		

GEAR RATIO CHART

Spur	Spur 1st			Spur 2nd		
Pinion	60	61	62	56	57	58
1st 19T	<input type="checkbox"/>	<input checked="" type="checkbox"/>	<input type="checkbox"/>	5.37	5.46	5.56
2nd 24T	7.26	7.38	7.51	<input type="checkbox"/>	<input checked="" type="checkbox"/>	<input type="checkbox"/>

SHOCK

Front	SHOCK PISTON		Rear
OIL	<input checked="" type="checkbox"/> 1 HOLE	<input type="checkbox"/> 2 HOLE	OIL
500 CST	HOLE SIZE		500 CST
SPRING	<input type="checkbox"/> 1 HOLE	<input checked="" type="checkbox"/> 2 HOLE	SPRING
Yellow	mm	mm	Blue

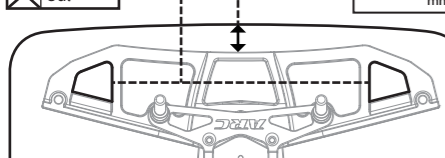
TIRE

Front Left	32°	Tire Shore	Rear Left	35°
Front Right	32°		Rear Right	35°
Front Left	68 mm	Tire Ø	Rear Left	75 mm
Front Right	68 mm		Rear Right	75 mm
Tire Additive				

BODY

Bumper Standard Cut

BODY MOUNT DISTANCE mm



BODY WING mm

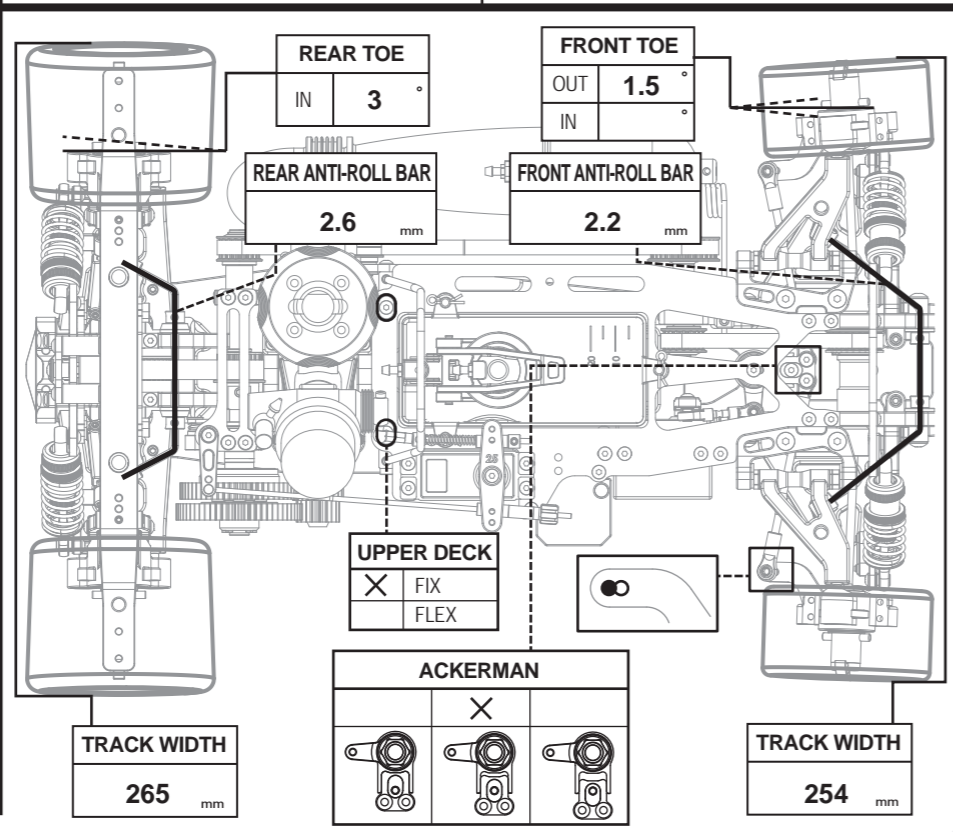
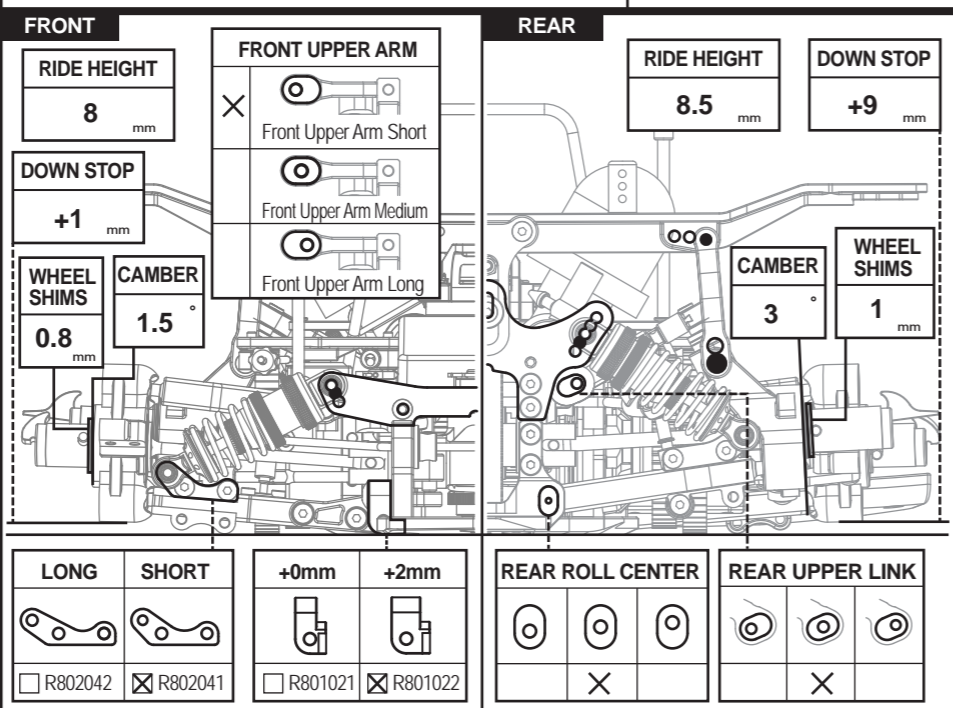
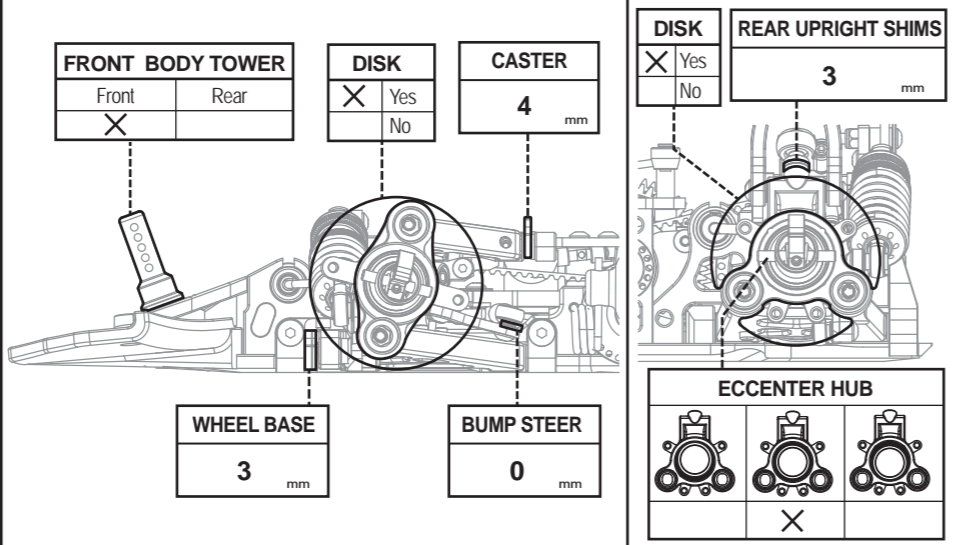
ENGINE

Engine	NOVA VIRTUS	Pipe	EFRA 2015
Plug	C8TGH	Carb Dia	8.5 mm
Fuel	TORNANDO	Head Shims	0.7 mm

CLUTCH

Clutch Bell	STEEL	Clutch Shoes	YELLOW
Spring Load	0.8 mm	Bell Clearance	0.6 mm

NOTE



RACE
 TRACK
 NAME
 CITY / COUNTRY
 DATE

TEMPERATURE	AIR	TRACK
QUALIFYING POSITION	BEST LAP TIME	FINAL POSITION
TRACK CONDITION		RACE LENGTH
<input type="checkbox"/> TECHNICAL <input type="checkbox"/> MIXED <input type="checkbox"/> FAST		SEC MIN
TRACTION <input type="checkbox"/> LOW <input type="checkbox"/> MEDIUM <input type="checkbox"/> HIGH		

GEAR RATIO CHART

Spur	Spur 1st			Spur 2nd		
Pinion	60	61	62	56	57	58
1st 19T	<input type="checkbox"/>	<input type="checkbox"/>	<input type="checkbox"/>	5.37	5.46	5.56
2nd 24T	7.26	7.38	7.51	<input type="checkbox"/>	<input type="checkbox"/>	<input type="checkbox"/>

SHOCK

Front	SHOCK PISTON		Rear
OIL	<input type="checkbox"/> 1 HOLE	<input type="checkbox"/> 2 HOLE	OIL
500 CST	HOLE SIZE		500 CST
SPRING	<input type="checkbox"/> 1 HOLE	<input type="checkbox"/> 2 HOLE	SPRING
	mm	mm	

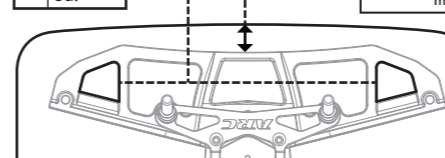
TIRE

Front Left	<input type="text"/>	Tire Shore	Rear Left	<input type="text"/>
Front Right	<input type="text"/>		Rear Right	<input type="text"/>
Front Left	<input type="text"/>	Tire Ø	Rear Left	<input type="text"/>
Front Right	<input type="text"/>		Rear Right	<input type="text"/>
Tire Additive				

BODY

Bumper Standard Cut

BODY MOUNT DISTANCE



BODY

ENGINE

Engine		Pipe	
Plug		Carb Dia	mm
Fuel		Head Shims	mm

CLUTCH

Clutch Bell		Clutch Shoes	
Spring Load	mm	Bell Clearance	mm

NOTE

